



Specification

SPECIFICATION

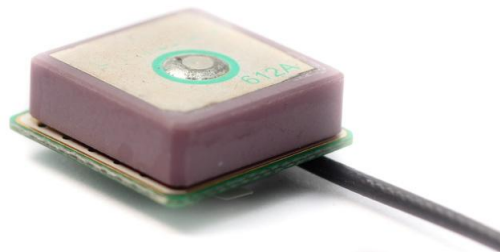
Part No. : **AP.12B.07.0105A.de**

Spec No. : **GBA-939**

Product Name : **1.8V/20dB/40mm/ I-PEX**

Features : Ultra Miniature GPS active patch
High performance
Ultra low power consumption
RoHS compliant

Photo :





Specification

1.0 Introduction

This miniaturised GPS Active Antenna module combines a tiny 12mm squared ceramic patch antenna with a two stage 20dB low noise amplifier. It is available as a 'plug and play' format for onboard integration with GPS receiver modules via ultra thin coaxial cable and connector from IPEX.

2.0 Specification

Antenna

Frequency	1575.42 ± 1.023MHz
Antenna Gain	Typ -1.5 dBic @ Zenith(13.4mm*13.4mm Ground Plane)
Impedance	50 Ω
Polarization	RHCP
Axial Ratio	Max 4.0dB @ Zenith
Patch Dimension	12mm x 12mm x 3.5mm

LNA

Frequency	1575.42 ± 1.023MHz
Gain	Min. 18dB Typ. 20dB @ 25°C ± 5°C
Noise Figure	Typ. 1.0dB @ 25°C ± 5°C Max 1.5dB @ 85°C
Output VSWR	2.0 Max.

Cable* & Connector

RF Cable	Coaxial Cable ϕ 1.13 ± 0.1mm, length 105 ± 2.0mm
Connector	Ipex MHFI (U.FL)

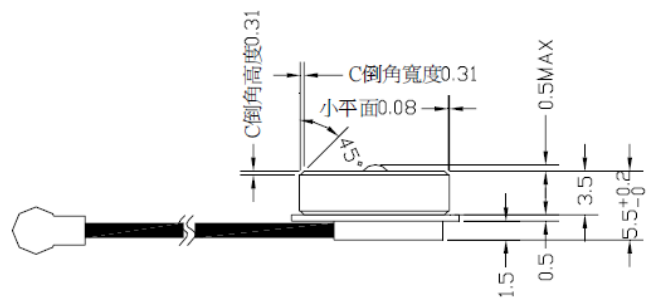
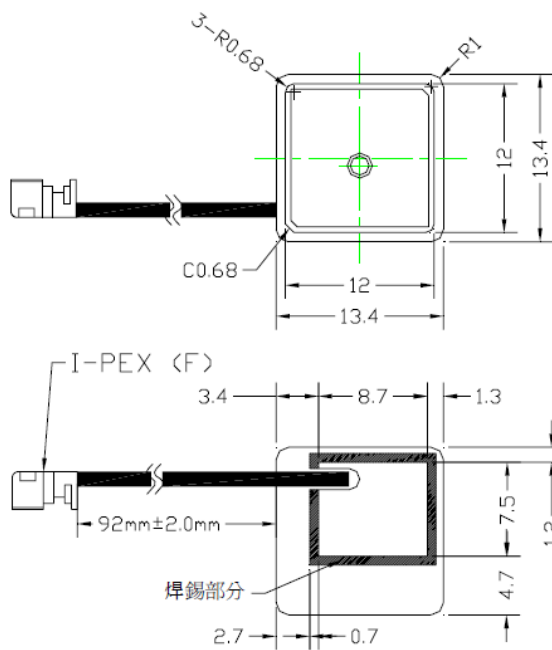


Specification

Total Specification

Frequency	1575.42 ± 1.023MHz
Gain	18.5 ± 4dBic @ 90°
Output Impedance	50 Ω
Polarization	RHCP
Output VSWR	Max 2.0
Input Voltage	Min. 1.5V Typ. 1.8V Max. 3.3V
Power Consumption	At 1.8V Typ. 3.3mA, Max. 5mA

3.0 Technical Drawing



Unit:mm

Tolerance : +/- 0.2