



Specification

G-21 Hercules

Quad-band GSM (GSM / CDMA / PCS / DCS)

Low Profile Heavy Duty Screw-mount Antenna



The G-21 Hercules is a high performance thread mount Quad-band GSM antenna for external use on vehicles and outdoor assets worldwide. Omni-directional high gain across all bands ensures constant reception and transmission. Durable UV resistant PVC housing is resistant to vandalism and direct attack. At only 29mm high it complies with the latest EU height restrictions directives for roof-mounted objects, whilst also enabling covert operation with a diameter of 52mm.

Features

Cellular

- Quad-band GSM Worldwide use
- Miniaturized Height 29mm Diameter 52mm

Other

- Quality textured covert design. Low profile
- UV and Vandal resistant PVC housing
- IP-65 Standard - Protected against low pressure jets if water from all directions - limited ingress permitted
- Convenient integrated cable routing system
- Thick nickel plated steel thread – 18mm Diameter
- Optional cables and connectors
- ROHS Compliant



Specification

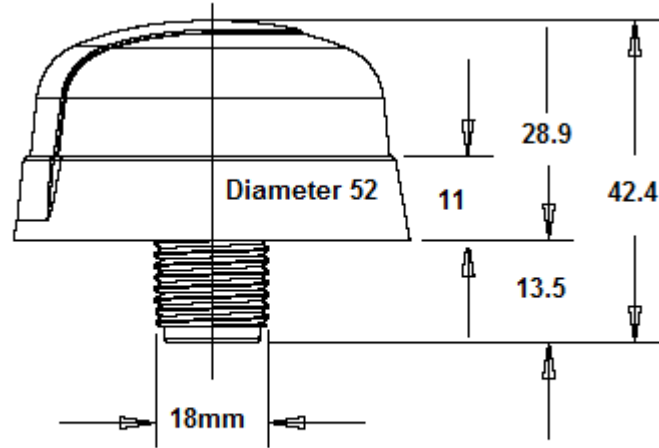
Specifications				
ELECTRICAL				
	AMPS	GSM	PCS	DCS
Band	824-896	880-960	1850-1990	1710-1880
Return Loss	-12 dB	-25 dB	-12 dB	-10 dB
Polarization	Linear			
Impedance	50 ohms			
Input Power	10 watts			
Input Connection	Coaxial Cable - RG174 Standard, Fully customizable			
VSWR (Min performance)	<2.0:1			
MECHANICAL				
Dimensions (L x W)	Height 29mm x Diameter 52mm			
Casing	UV Resistant PVC			
Base and Thread	Nickel plated steel			
Thread Diameter	18mm			
Weather proof gasket	Rubber			
Sealant	Silicon Cure			
ENVIRONMENTAL				
Waterproof	IP-65			
	Protected against low pressure jets if water from all directions - limited ingress permitted			
Corrosion	5% NaCl for 96hrs - Nickel plated steel base and thread			
Temperature Range	-40°C to +85°C			
Thermal Shock	100 cycles -40°C to +80°C			
Humidity	Non-condensing 65°C 95% RH			
Shock (Drop Test)	1m drop on concrete 6 axes			
Cable Pull	8 KGf			

***note: specifications may be subject to change**

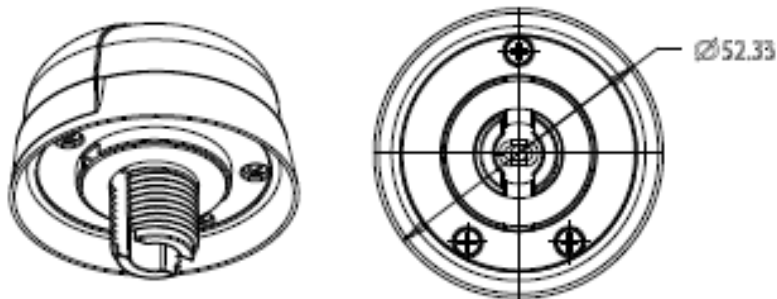


Specification

Outline Drawing

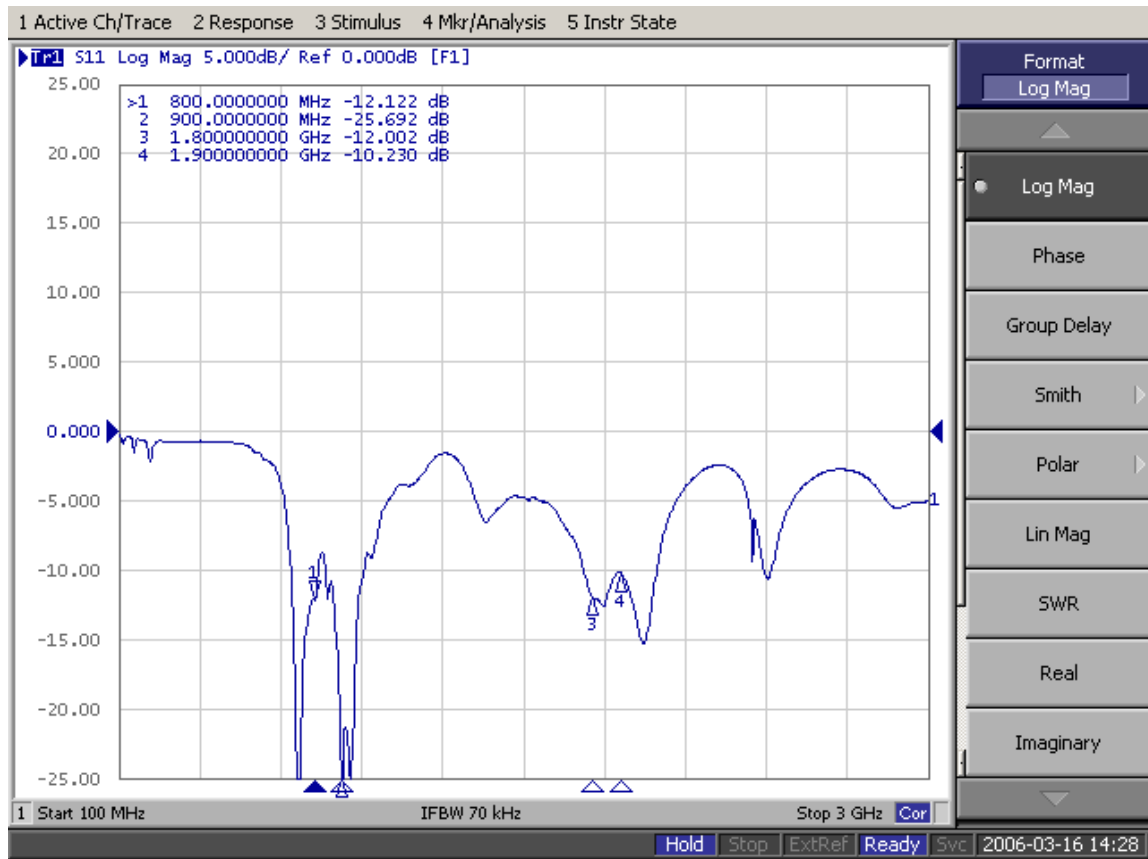


Note: unit cm unless specified



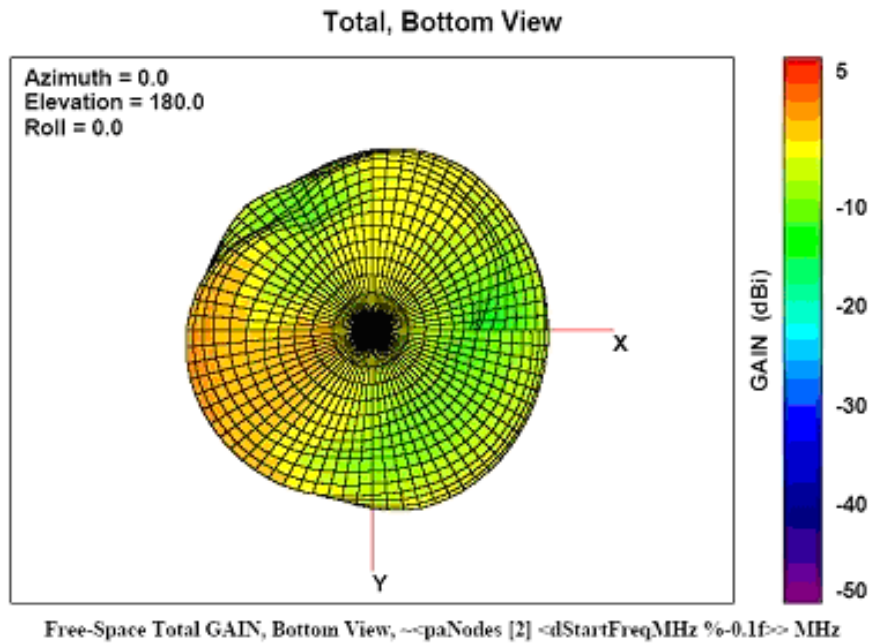
Specification

S11 Magnitude

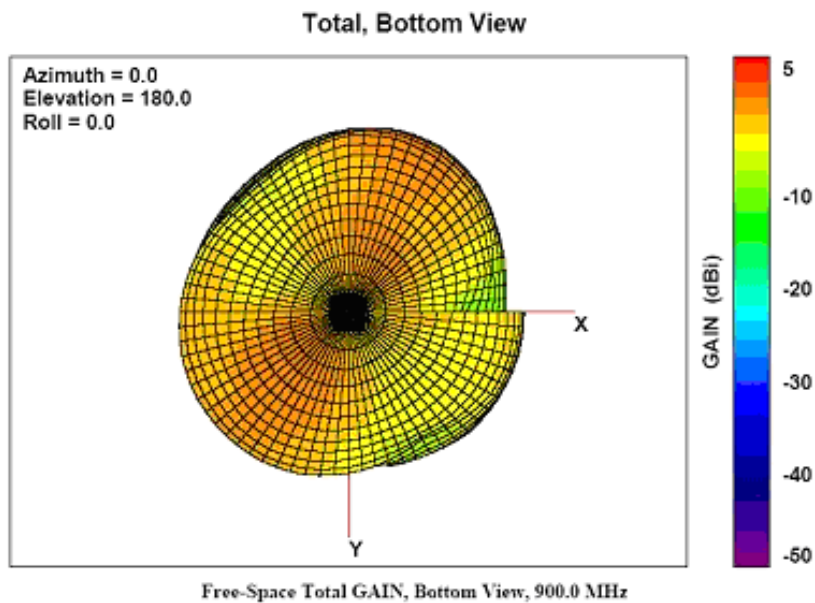




800 MHz – 3D Radiation Pattern



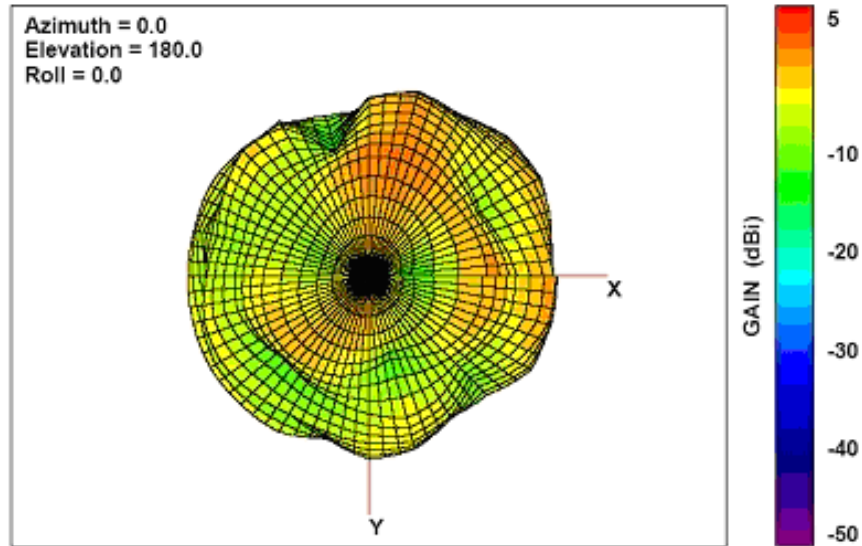
900 MHz – 3D Radiation Pattern





1800 MHz – 3D Radiation Pattern

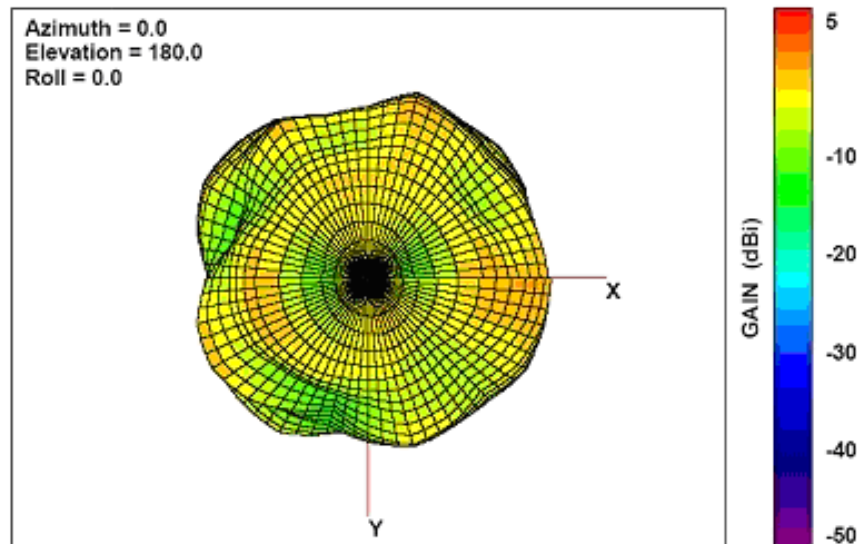
Total, Bottom View



Free-Space Total GAIN, Bottom View, 1800.0 MHz

1900 MHz – 3D Radiation Pattern

Total, Bottom View



Free-Space Total GAIN, Bottom View, 1900.0 MHz