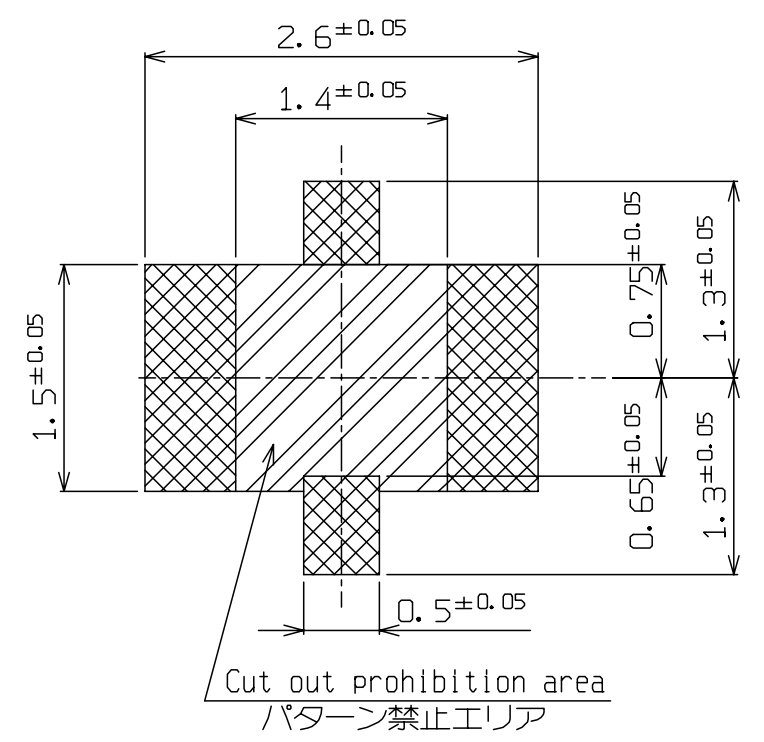
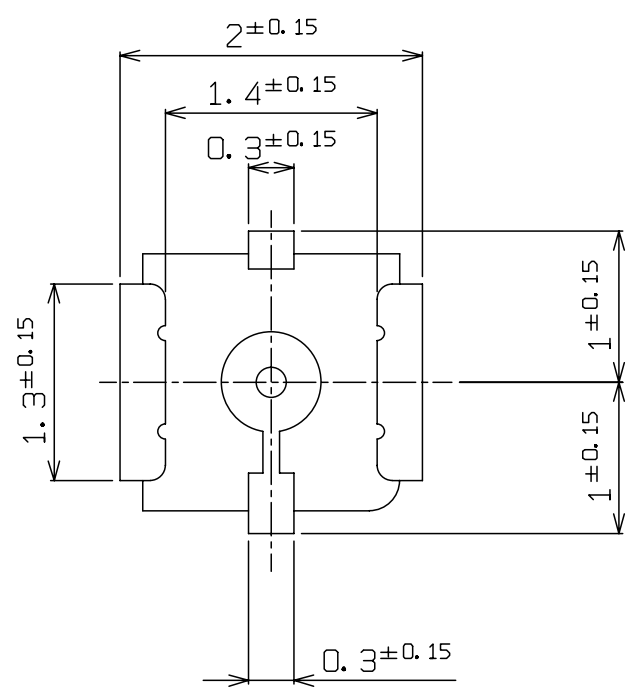
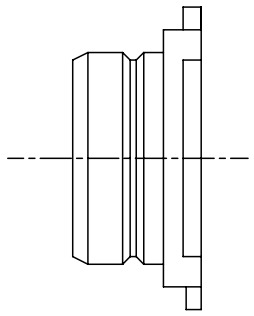
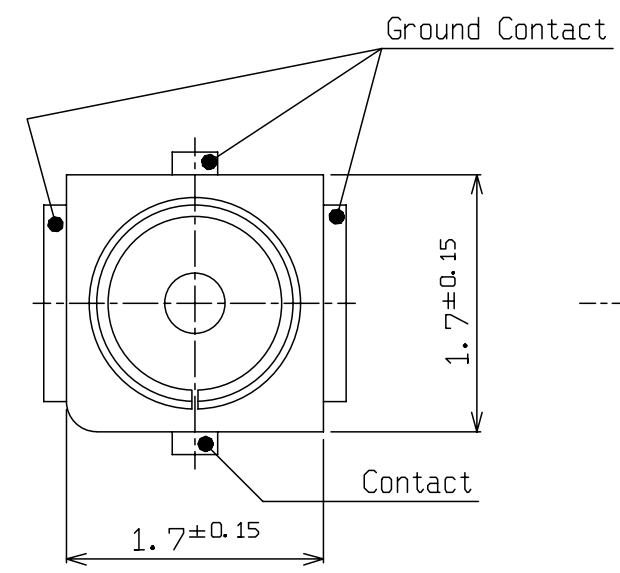
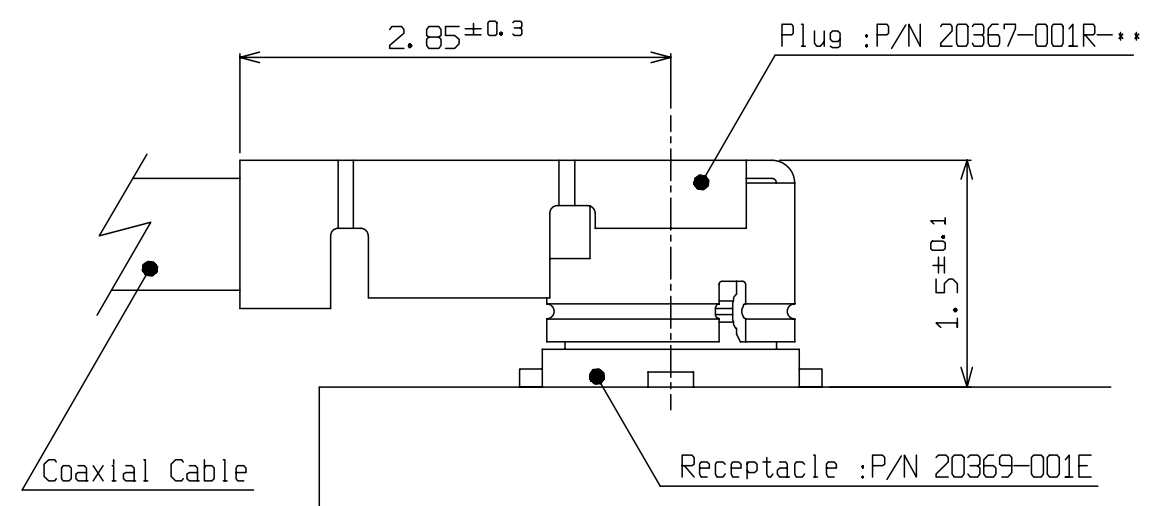
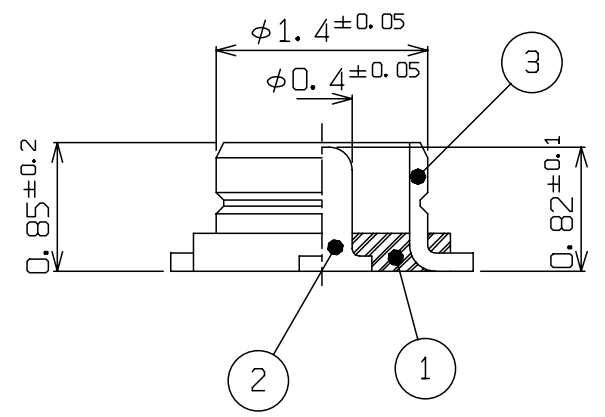


PART NO.
20369-001E



RECOMMENDED FOOTPRINT PATTERN



- 注記
 1. MATERIAL
 ① HOUSING : LCP(GF=30%) NATURAL UL94V-0 (VECTRA E130i POLYPLASTICS)
 ② CONTACT : BRASS Au OVER Ni
 ③ GROUND CONTACT : PHOSPHOR BRONZE Au OVER Ni
 2. COPLANARITY : 0.10mmMAX.
 3. PACKING : EMBOSS TAPE

GENERAL TOLERANCE	
6 MAX.	±0.2
6 OVER MAX. 30	±0.3
30 OVER MAX. 120	±0.5
ANGLE	±2°

MATING

DESIGN'D BY	DATE	I-PEX Interconnect and Packaging Electronics TOKYO, JAPAN
T. TAKANO	Mar./01/04	
CHK'D BY	DATE	TITLE
T. HARADA	Mar./02/04	
APP'D BY	DATE	MHF III Connector Receptacle
K. KATABUCHI	Mar./02/04	
REV. RECORD	CUSTOMER COPY	PROJECTION
SERIES No.		
SCALE	UNIT	DWG. No.
20/1	mm	20369
SHEET	REV.	
1/1	0	