



PC-23
Internal Circular PCB
Quad-band GSM Antenna
(GSM / CDMA / PCS / DCS)



The PC-23 Internal PCB Antenna is a circular Quad-band GSM antenna for incorporation antennas and transceiver modules worldwide. Omni-directional high gain across all bands ensures constant reception and transmission. Cables and connectors fully customizable.

Features

Cellular

- Quad-band GSM Worldwide use
- Miniaturized Height 1.6mm Diameter 42mm

Other

- Optional cables and connectors
- ROHS Compliant

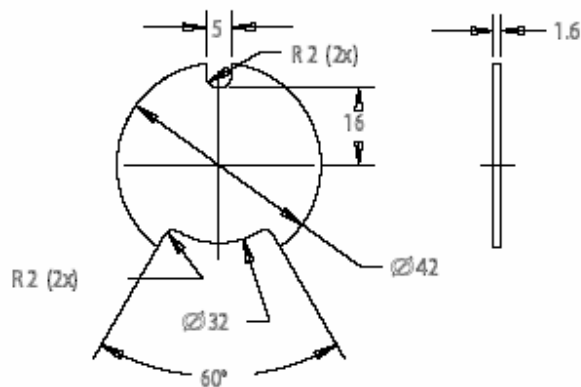


Specifications

ELECTRICAL				
	AMPS	GSM	PCS	DCS
Band	824-896	880-960	1850-1990	1710-1880
Return Loss	-12 dB	-25 dB	-12 dB	-10 dB
Gain	Average 0 dBi			
Polarization	Linear			
Impedance	50 ohms			
Input Power	10 watts			
Input Connection	Coaxial Cable - RG174 Standard, Fully customizable			
VSWR (Min performance)	<2.0:1			
MECHANICAL				
Dimensions (L x W)	Height 29mm x Diameter 42mm			

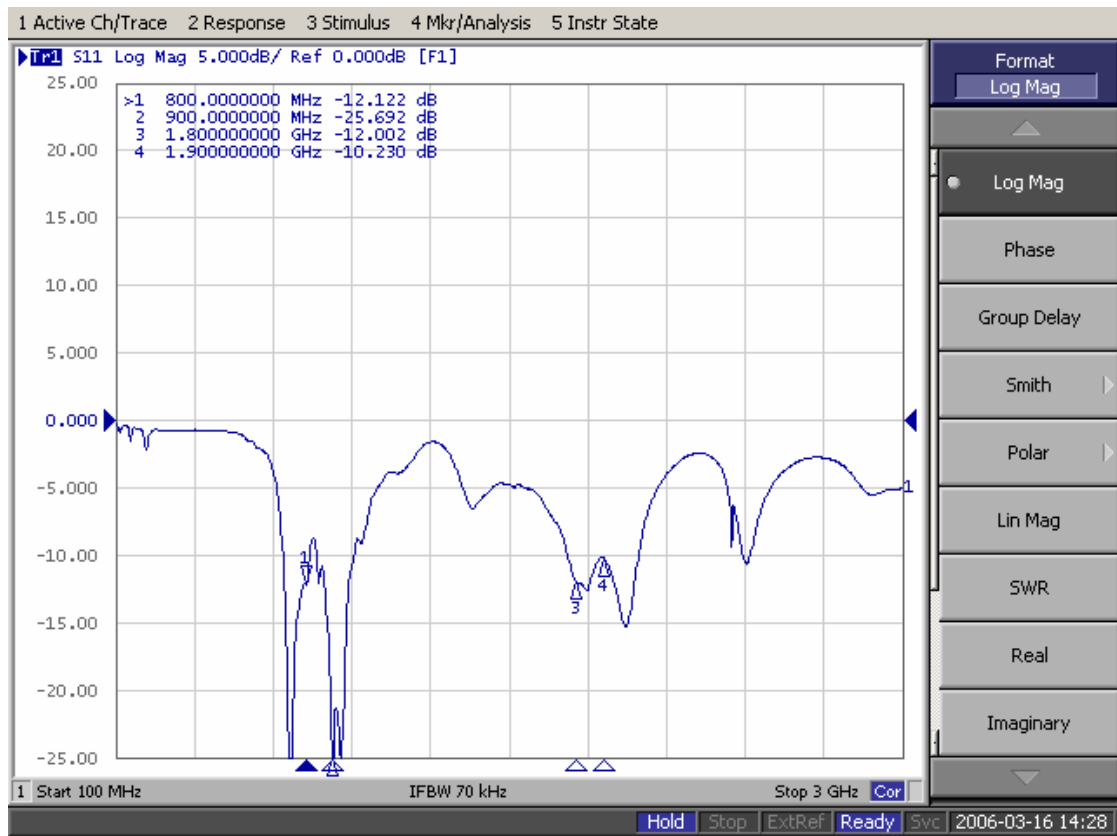
***note: specifications may be subject to change**

Outline Drawing





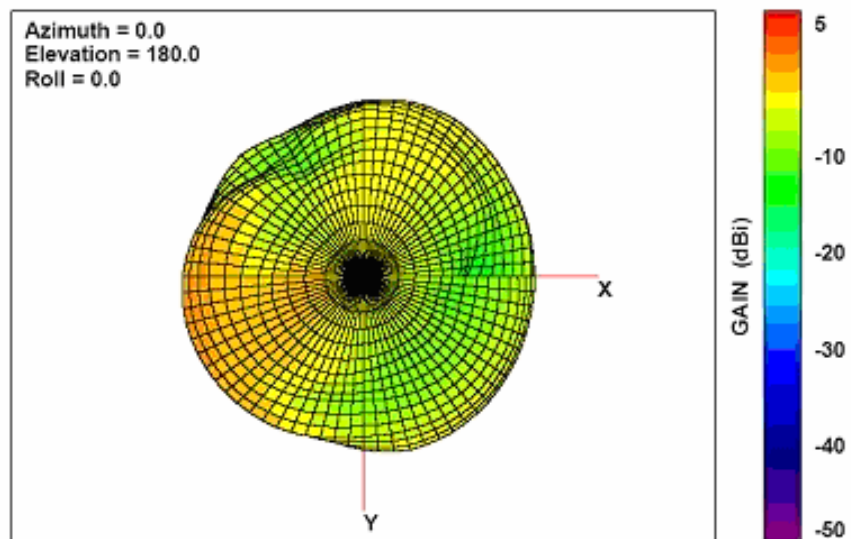
S11 Magnitude





800 MHz – 3D Radiation Pattern

Total, Bottom View

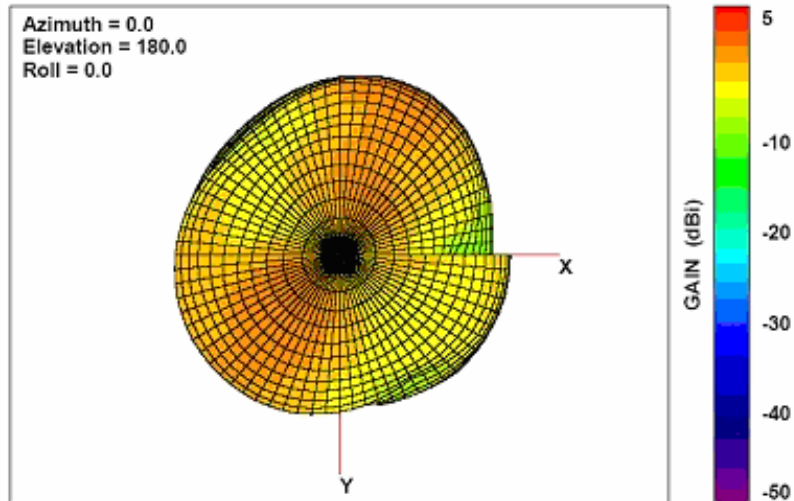


Free-Space Total GAIN, Bottom View, ~\paNodes [2] \dStartFreqMHz %-0.1f>> MHz

900 MHz – 3D Radiation Pattern



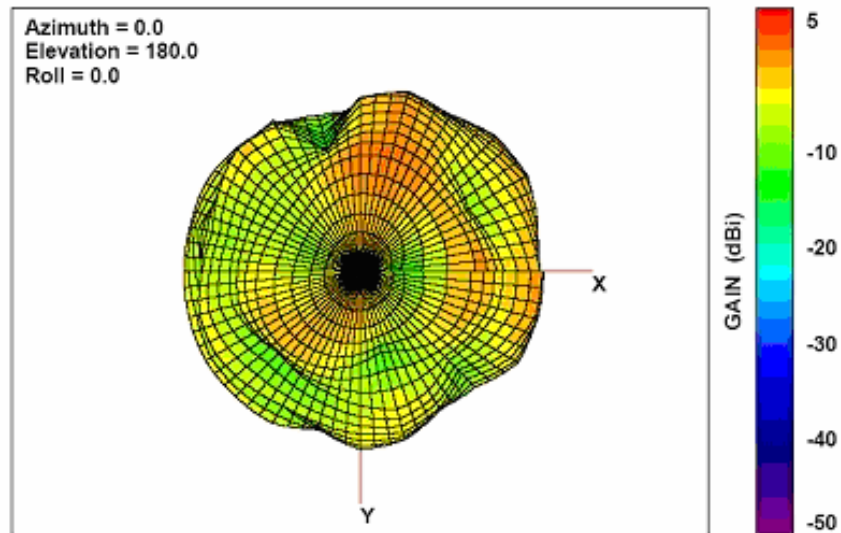
Total, Bottom View



Free-Space Total GAIN, Bottom View, 900.0 MHz

1800 MHz – 3D Radiation Pattern

Total, Bottom View

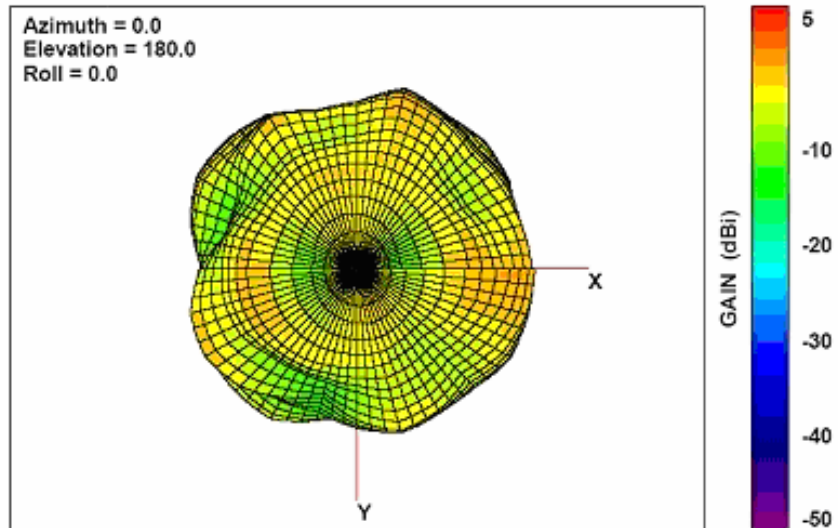


Free-Space Total GAIN, Bottom View, 1800.0 MHz

1900 MHz – 3D Radiation Pattern



Total, Bottom View



Free-Space Total GAIN, Bottom View, 1900.0 MHz