



Specification

# SPECIFICATION

- Part No. : **TI.10.0111**
- Product Name : 433MHz ISM Band Terminal Antenna  
0dBi Gain
- Features : SMA(M) Connector  
Low Profile and Robust Handling  
48\*8mm Antenna Dimensions  
RoHS Compliant
- Photo :



## REVISION STATUS

Version	Date	Page	Revision Description	Prepared	Approved
01	July 27 2009	All	New product	TW Product Centre	Zita Lin



Specification

## 1.0 Introduction

The TI.10 series are high performance 433MHz omni-directional antennas. The TI.10 terminal SMA plug mount antenna is ideal for mobile small form factor applications. At only 48mm in length omni-directional 0dBi gain ensures constant reception and transmission. The antenna structure is designed for robust handling and the housing is made with TPE giving reliable performance in tough environments.

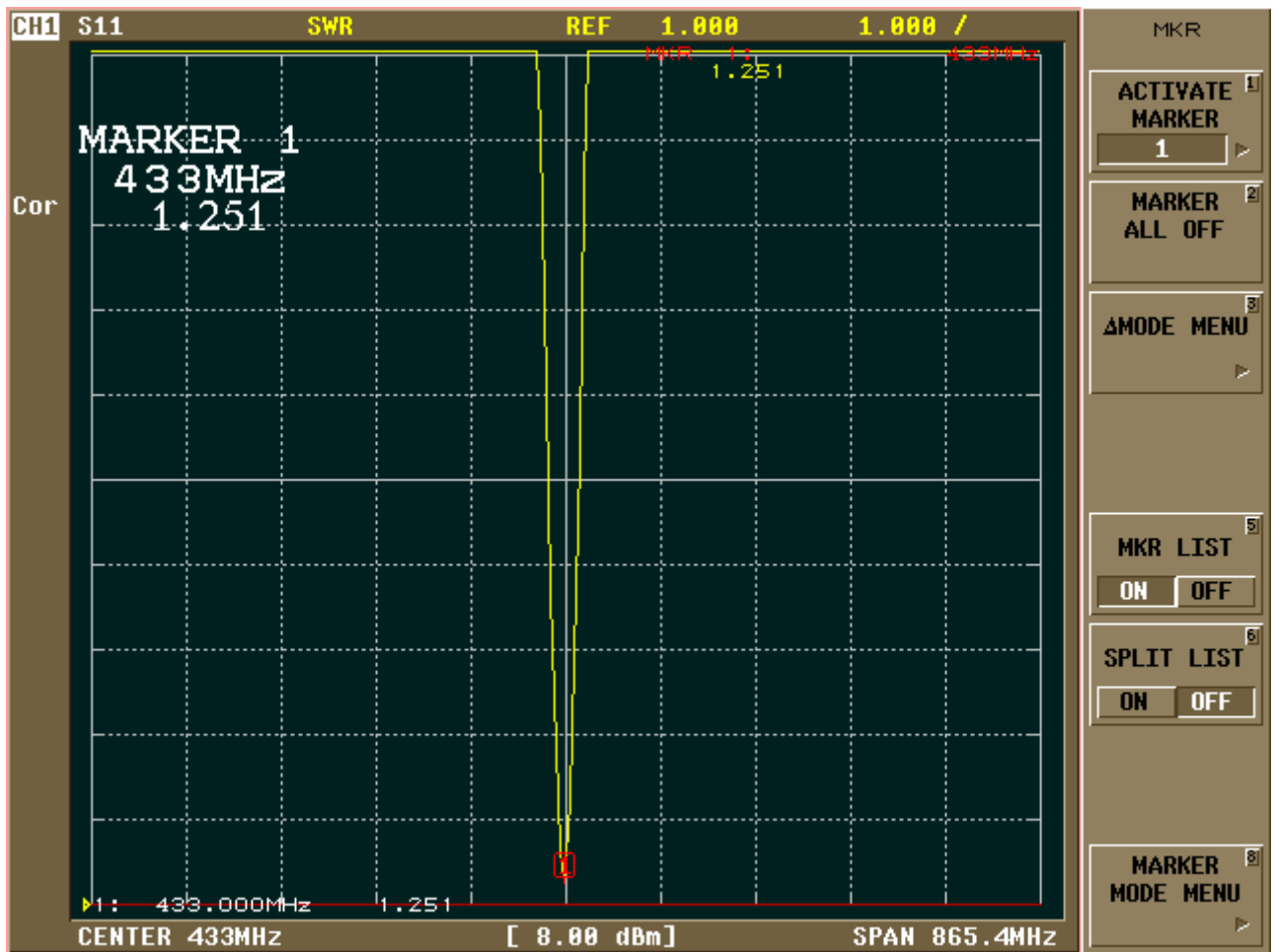
## 2.0 Key Antenna Performance Indicators

Parameter	Specification
Applications	433MHz ISM Band
Frequency	433.05~434.79MHz
Gain	0dBi
Return Loss	-17dB
Impedance	50 Ohms
Radiation Pattern	Omni-directional
Polarization	Linear
VSWR	≤1.5:1
Power handling	5 W
Housing	TPE
Connector	SMA(M) plug
Operation Temperature	-40°C to + 85°C
Storage Temperature	-40°C to + 105°C
Relative Humidity	40% to 95%
Dimensions	48*8mm Antenna Dimensions
Weight	8.5g



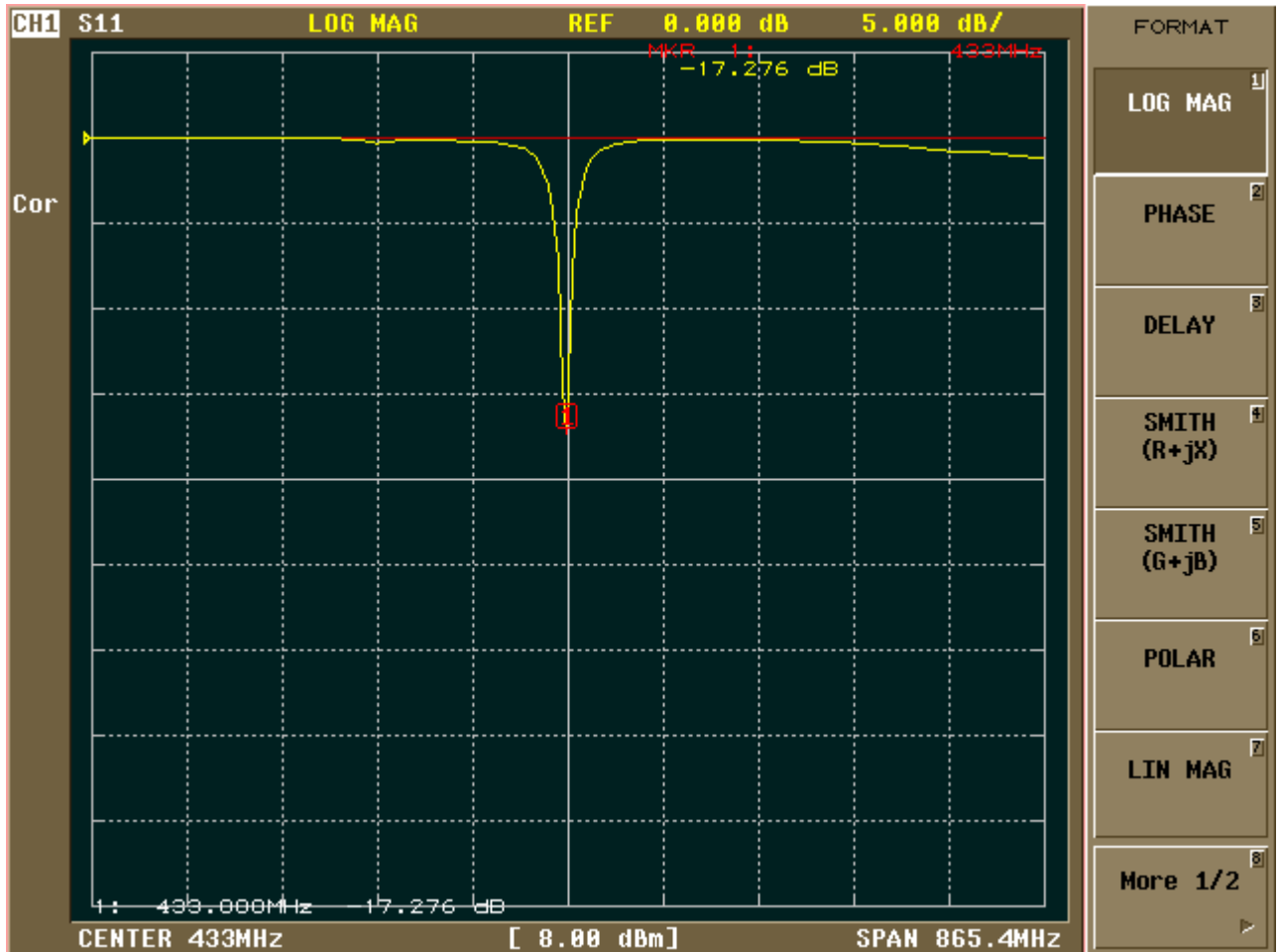
### 3.0 Antenna Parameters

#### 3.1 VSWR Data



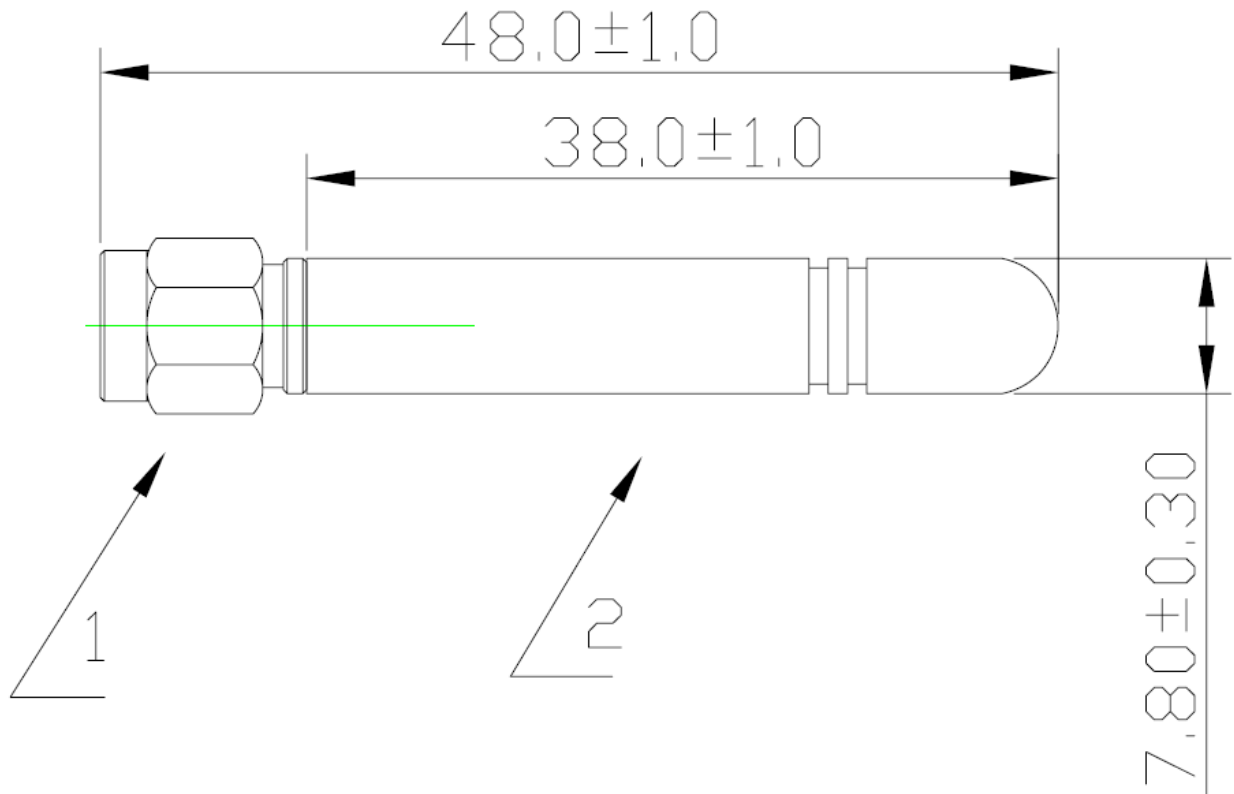


### 3.2 Return Loss Data





## 4.0 Mechanical Drawing



Unit: mm