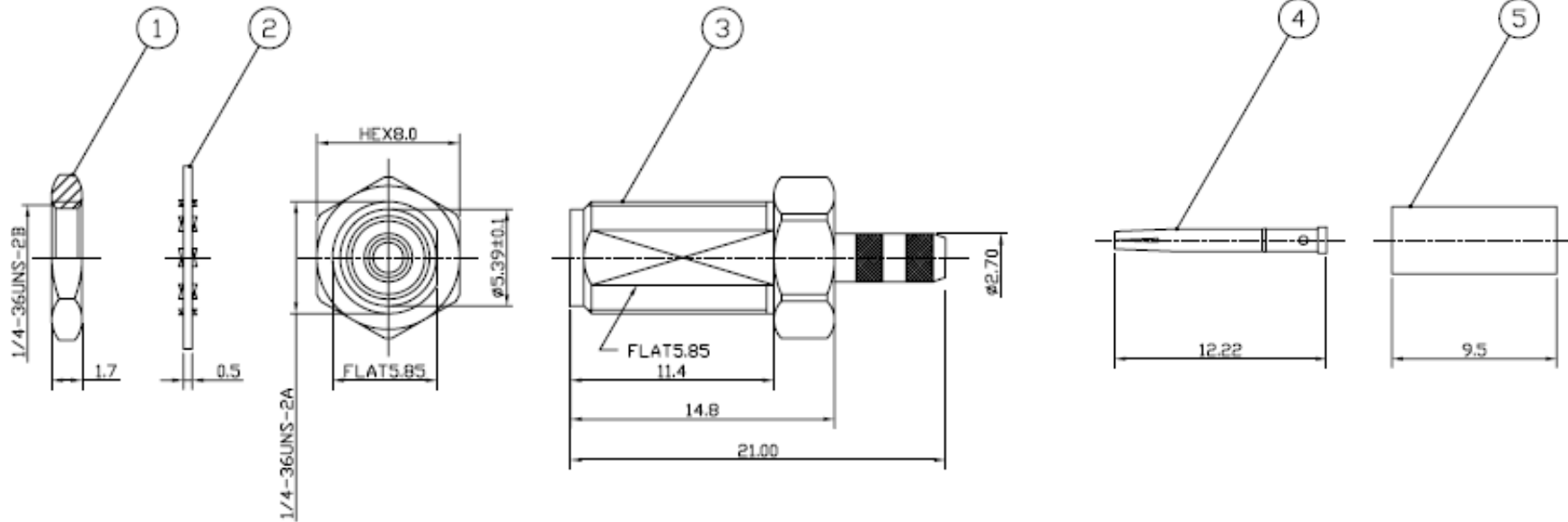
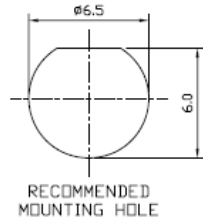


RoHS ✓



Revisions		
1	Initial Design	19/11/08

NO	DESCRIPTION	MATERIAL & FINISH	QTY
1	Nut	Brass -Gold	1
2	Washer	Brass-Gold	1
3	Insulator	Teflon	1
3	Body	Brass-Gold	1
4	Pin	PHOS Bronze	1
5	Ferrule	Brass-Gold	1

taoglas limited

SMA Straight Bulkhead Jack Crimp

DWG No	Part No	Unit	REV.
C02ABWS174003C	SMA(F)	mm	1