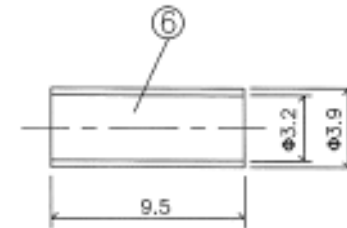
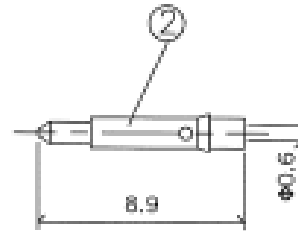
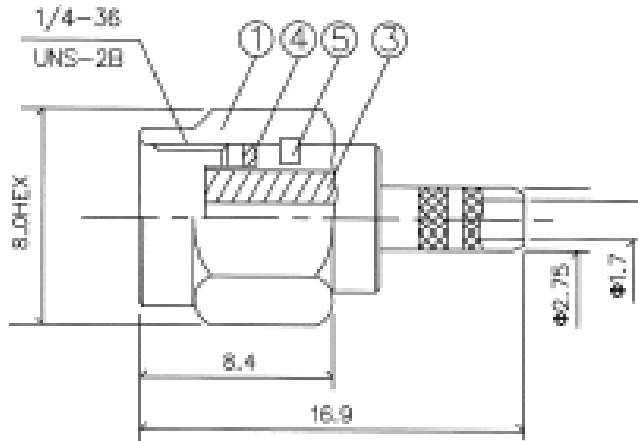


**RoHS** ✓

**Revisions**

1	Initial Design	23/10/08
---	----------------	----------



NO	DESCRIPTION	MATERIAL & FINISH	QTY
1	Body	Brass -Gold	1
2	Centre Conductor	Brass-Gold	1
3	Insulator	Teflon	1
4	Ferrule	Brass-Gold	1

**taoglas limited**

SMA straight plug crimp type for RG174

DWG No	Part No	Unit	REV.
C01AA31174004A	SMA(M)ST	mm	1