

## PCN – Process Change Notification

Change:	CGGBP/CGGP/CGIP/GP/IP/WDP/WLP Series Products
Date:	2017/03/17
Author	Haley Tsai

### Affected Products

Model#	Part Number	Changes
CGGBP Series CGGP Series CGIP Series GP Series IP Series WDP Series WLP Series	-	Attach SPQ label to box.

### Type of Change

- Hardware Modification  
 Production Process Advance  
 Others –Attach SPQ label to the box.

### Description of Change

Attach SPQ label to the box.

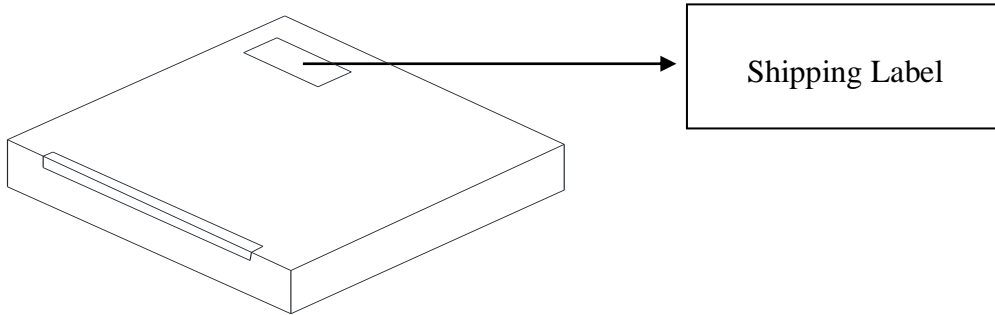
### Schedule

2017, March, Taoglas will input this new packaging into productions.

### Forecast Estimated Transition Date

**March/2017**

**Illustration of Change  
Old Package**



**New Package**

