



# TAOGLAS®



# Datasheet

**Part No:**  
AHPD5354A

**Description**

Evaluation Board for HP5354.A with TFM.100B & 1x HC125A

**Features:**

Optimum Active Electronics Design for Passive GNSS L1/L5 Antenna  
Integrated TFM Module and Hybrid Coupler

Bands Covered:

- BeiDou (B1/B2a)
- GPS/QZSS (L1/L5)
- GLONASS (G1)
- Galileo (E1/E5a)

Dual feed solder mount configuration

RoHS & Reach Compliant

<b>1.</b>	<b>Introduction</b>	<b>2</b>
<b>2.</b>	<b>Mechanical Drawing</b>	<b>4</b>
<b>3.</b>	<b>Integration Guide</b>	<b>5</b>
<hr/>		
	Changelog	9

Taoglas makes no warranties based on the accuracy or completeness of the contents of this document and reserves the right to make changes to specifications and product descriptions at any time without notice. Taoglas reserves all rights to this document and the information contained herein. Reproduction, use or disclosure to third parties without express permission is strictly prohibited.

Ireland & USA  
ISO 9001:2015  
Certified



Taiwan  
ISO 9001:2015  
Certified



046



IATF 16949



# 1. Introduction



## Taoglas GNSS Reference Design Evaluation Boards

The Taoglas series of GNSS Antenna Reference Boards are designed to show the optimum component layout and make it easy for you to integrate the active electronics with the passive GNSS antenna on your device PCB.

Designing active GNSS electronics can be difficult, but utilising Taoglas' **TFM Series** of front end active electronics and hybrid couplers allow you to achieve the best possible positioning performance for your device. The Taoglas TFM module features a SAW/LNA/SAW/LNA topology in both the low and high band signal paths to prevent unwanted out-of-band interference from overdriving the GNSS LNAs or receiver.

### Features and Benefits of utilising the TFM Modules.

**Ease-of-integration** – Single-package solution combines impedance matching, filter efficiency and low noise design for easy, drop-in use with any antenna or GNSS receiver

**Low-noise System Design** – Integrated pre-filters deliver exceptional out-of-band rejection across multiple band configurations and neighbouring interference to properly set noise figure

**Dual-gain Stage Architecture** – Cascaded LNAs, pre-filters and optimized impedance matching deliver sufficient gain to the GNSS receiver without signal-to-noise overload

**Low-profile Form Factor** – Small footprint and low-profile design saves valuable real estate without the need for external components and routing

**Accelerated Development Cycles** – 2+ years of development by antenna and RF design experts, delivering the highest levels of integration, manufacturability and robustness in a single package

View the full series here:

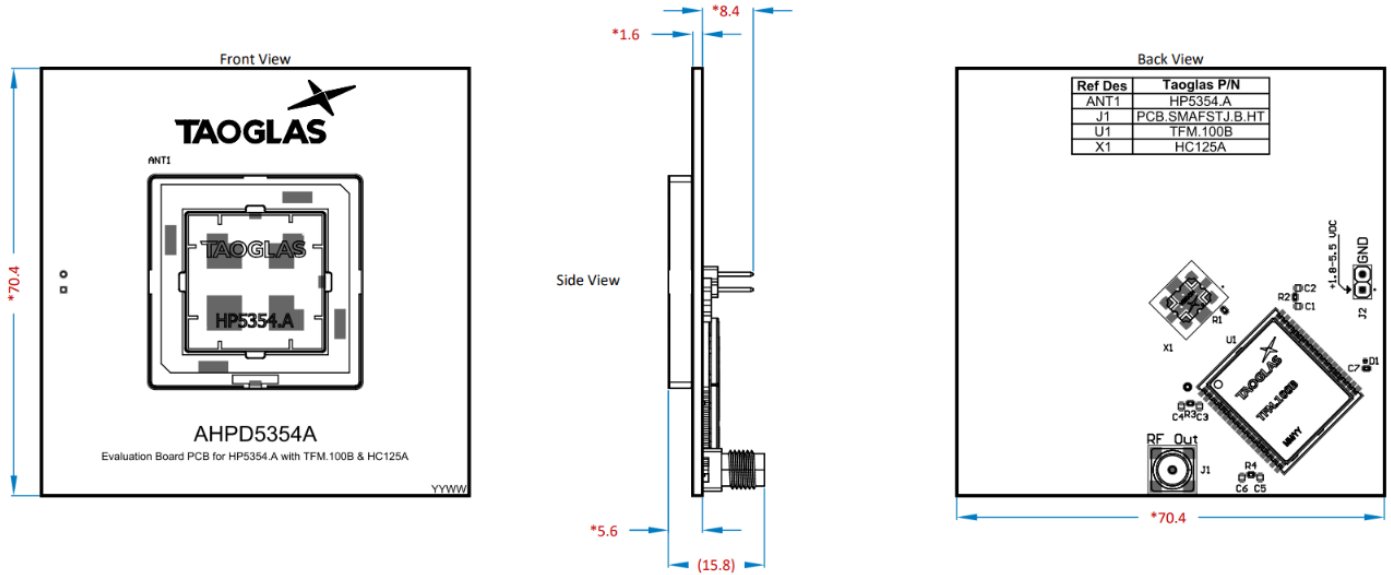
<https://www.taoglas.com/product-category/other-rf-components/front-end-modules/>

Where used, the Taoglas **HC125A** is a low profile, high performance, 3dB hybrid coupler designed for multi-feed Multiband GNSS applications. The HC125.A is ideal for applications where balanced power and low noise amplifiers are required. For more information on the HC125A, visit the product page [here](#).

Please visit the standard product page for the **HP5354.A** to download the integration files in Altium, 2D and 3D formats for your project by clicking [here](#).

For more information or to order samples, reach out to your regional Taoglas customer support team..

## 2. Mechanical Drawing



### 3. Integration Guide

The following is an example on how to integrate the TFM.100B into a design. In this example, the HP5354.A (L1/L5) is used as the antenna. This antenna has three pins, two pins are used for L1 band, and the other pin is used for the L5 band. A Hybrid Coupler (HC125A) is used to combine the feeds for the L1 band, to create a Right hand circular polarized (RHCP) signal, before being presented to the corresponding inputs on the TFM.100B. The TFM.100B is powered from a separate power DC supply (1.8V-5.5V). The output of the TFM.100B can then be fed to a relevant GNSS receiver module. Taoglas recommends using a minimum of 70x70mm ground plane (PCB) to ensure optimal performance.



Top and bottom view of reference design board.

### 3.1 Schematic Layout

The HP5354.A uses two orthogonal feeds that need to be combined in a hybrid coupler to ensure optimal axial ratio and RHCP Gain is achieved. Taoglas recommends our HC125A, a high-performance hybrid coupler specifically engineered for use with our multi feed patches.

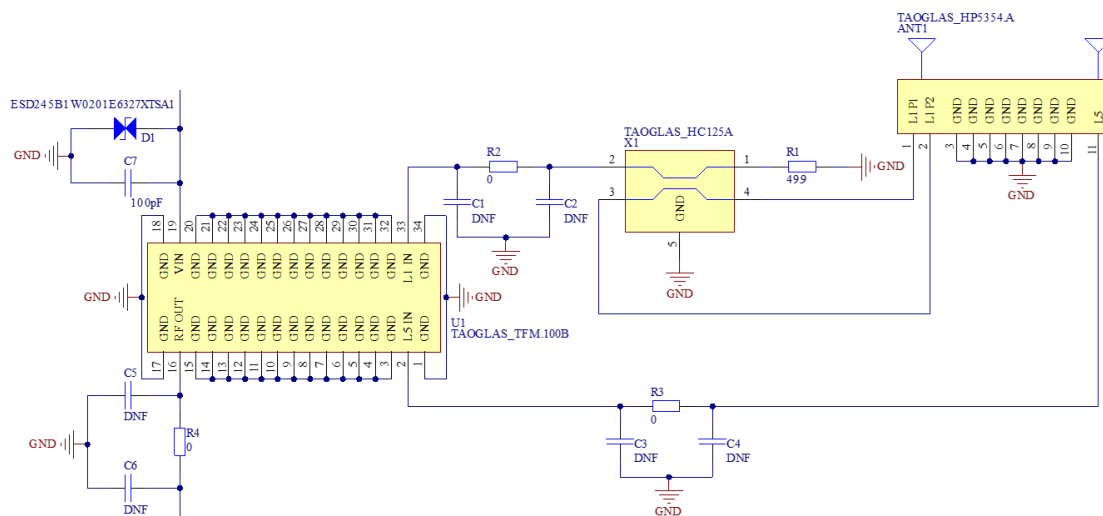
The HC125A is required for the high GNSS band of operation (1559- 1610MHz) for this antenna. This hybrid coupler should be placed close to the antenna pins and terminated correctly using two 100 Ohm resistors in parallel.

The output of the hybrid coupler can be fed into the relevant input of the TFM.100B module.

Matching components with the TFM.100B are required for the module to have optimal performance in the spaces specified in the schematic below. Additional matching components may be necessary for your device, Taoglas recommends incorporating extra component footprints, forming a “pi” network, between the TFM.100B and the HC125A. Matching components should also be placed between the RF output pin and the GNSS receiver module input pin.

Taoglas recommends placing an ESD diode and decoupling capacitor (100pF) on the input pin of the supply rail.

Note: The RF In & RF out of the TFM module are all DC-blocked internally. External DC block capacitors are not required.

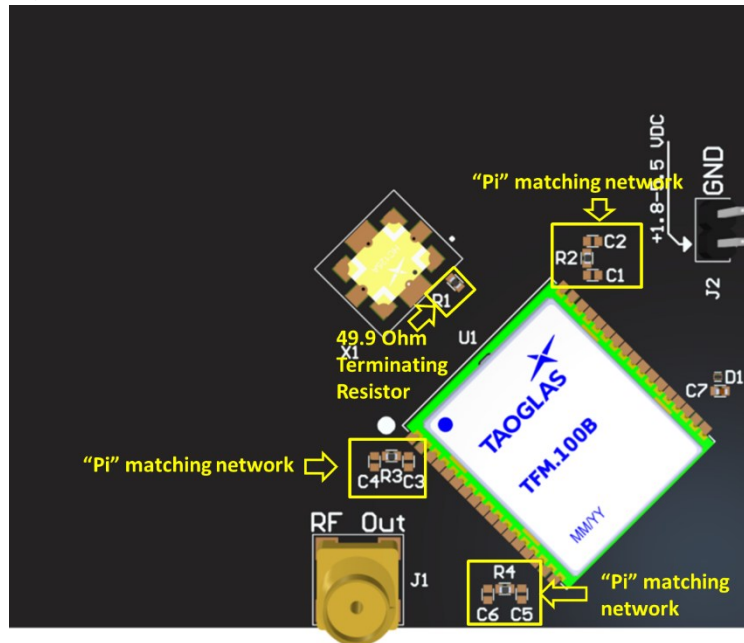


Schematic above shows how the [TFM.100B](#) and [HP5354.A](#) are integrated.

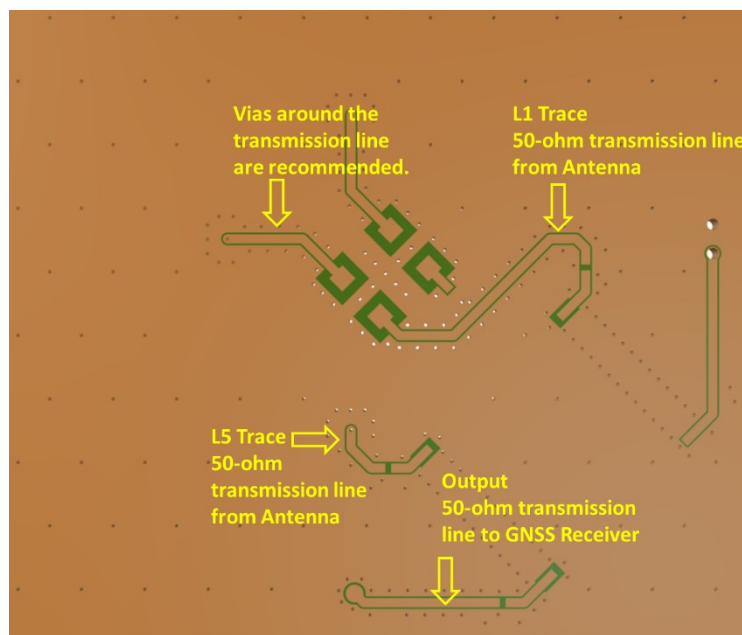
Designator	Type	Value	Manufacturer	Manufacturer Part Number
C1, C2, C3, C4, C5, C6	Capacitor	Not Fitted	-	-
C7	Capacitor	100pF	Murata	GRM1555C1H101JA01D
D1	Diode	-	Infineon	ESD245B1W0201E6327XTSA1
R1	Resistor	49.9 Ohms	Panasonic	ERJ-2RKF49R9X
R2, R3, R4	Resistor	0 Ohms	YAGEO	RC0402JR-070RL

### 3.2 Antenna Integration

The [TFM.100B](#) should be placed as close to the signal input and output as possible to shorten the length of the transmission lines. The RF IN/OUT traces must maintain a 50 Ohm transmission line. A Pi Matching Network is recommended for the RF IN transmission lines, the values and components for the matching circuit will depend on the tuning needed. Ground vias should be placed beside each ground pad and the DC Voltage input should be between +1.8 and +5.5 VDC. It's recommended that the DC Voltage input should be coupled with a 100pF Capacitor and an ESD Diode.



Bottom view of the PCB, showing "Pi" matching network.

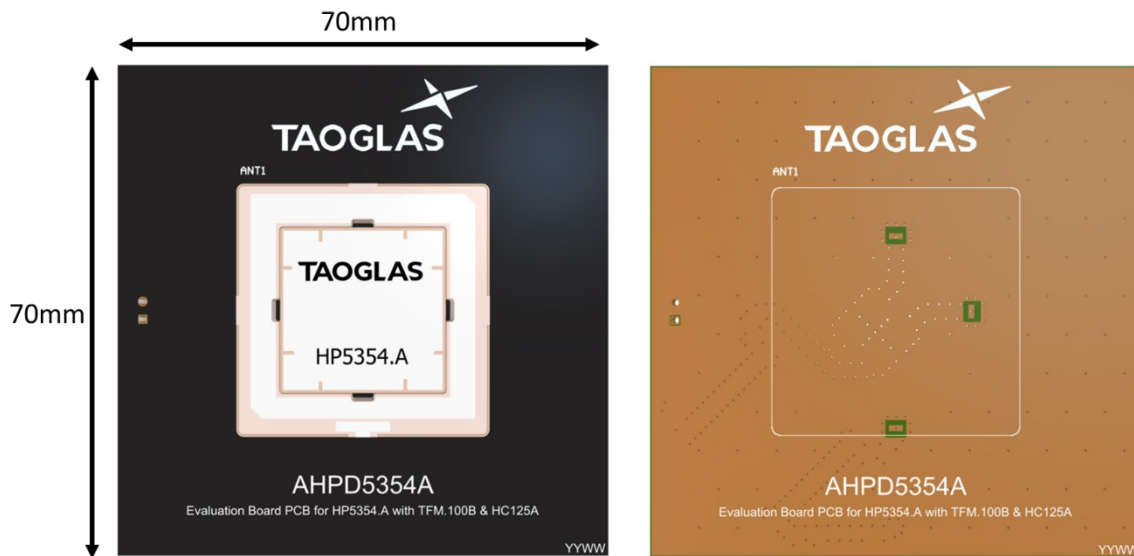


Bottom view of the PCB, showing transmission lines and integration notes.

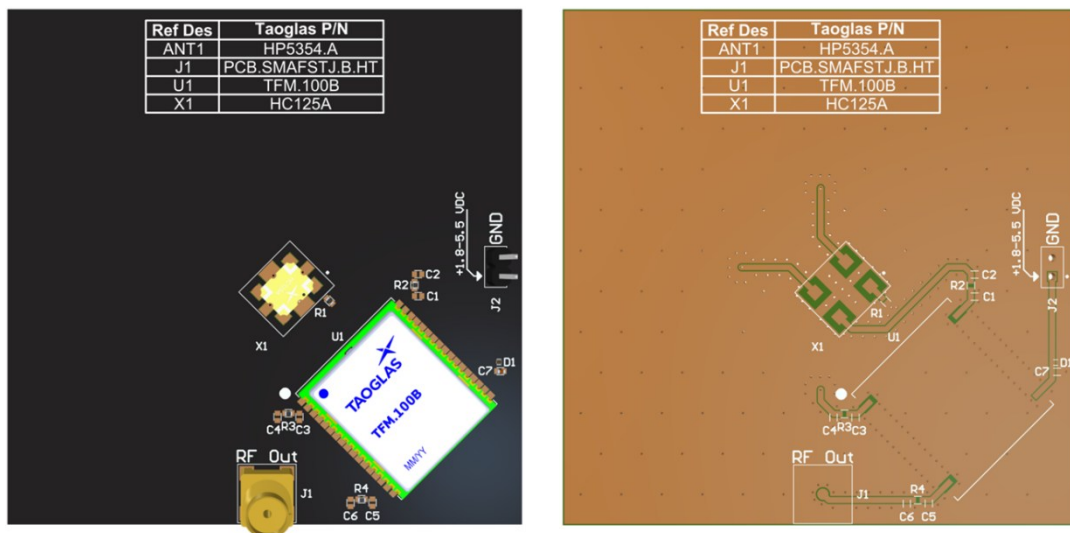


### 3.3 Final Integration

The bottom side image shown below highlights the antenna connection to the hybrid coupler ([HC125A](#)). It highlights the outputs of the hybrid couplers connected to the relevant inputs of the [TFM.100B](#) module. It shows the 49.9 Ohm terminating resistor necessary for the hybrid coupler ([HC125A](#)). It also demonstrates the output of the [TFM.100B](#) module that needs to be connected to a GNSS receiver input. It displays the DC connection required with ESD diode and decoupling capacitor. Taoglas recommends using a minimum of 70x70mm ground plane (PCB) to ensure optimal performance.



Top Side ([HP5354.A](#) placement on 70x70mm PCB)



Bottom side ([TFM.100B](#) placement including [HC125A](#))

Changelog for the datasheet

**SPE-25-8-013 – AHP5354.A**

<b>Revision: A (Original First Release)</b>	
Date:	2025-01-15
Notes:	Initial Release
Author:	Gary West

**Previous Revisions**




[www.taoglas.com](http://www.taoglas.com)

