

# FAKRA Code I Beige Connector

FAKRA Generation 1 – Code I for RG-174/RG-316/TGC-1.5DS/(TGC/CFD200) cables



## Product description

Taoglas is a leading provider of advanced technology for a smarter world. Our solutions include advanced components and technologies and help OEMs, enterprises, and communities to resolve the complexities of bringing digital transformation solutions to market quickly and cost effectively. Focused on best-in-class, high-performance antenna and RF design with advanced positioning, imaging, audio and artificial intelligence technologies, Taoglas understands the importance of high-performance connections.

Taoglas GEN.1 FAKRA connectors utilize a metal SMB connector embedded within a plastic enclosure that is colour coded and keyed for ease of identification and assembly. They have been designed with a swivel style housing for ease of installation. They are designed for high-volume production, automated harness assembly and provide superior performance. They are manufactured with the highest precision and are thoroughly tested to meet USCAR-2 and USCAR-17 standards. All Taoglas connectors are RoHS & REACH compliant.

The Beige Code I connector is typically used for Wi-Fi connections and is available in both Jack and Plug and for multiple cable diameters.

## Features

- Optimized for automated manufacturing
- Full Series of colours available
- RF performance up to 6GHz
- Primary and Secondary Locks
- Tulip contact/ anti-stubbing
- Housing inner ring / anti-scooping
- Fully compliant to USCAR requirements

## Specifications

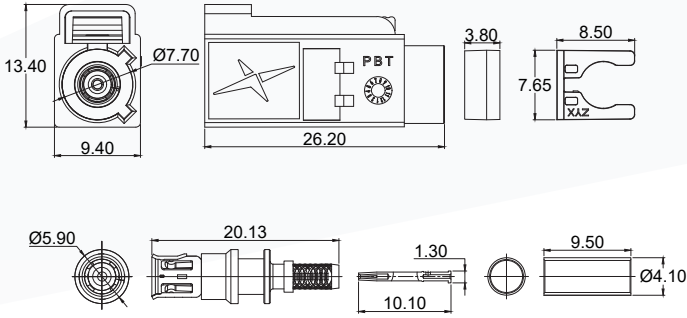
Electrical	
Impedance	50Ω Nominal
Frequency Range	DC - 6000MHz
VSWR (Return Loss)	0 ~ 3000MHz < 1.3   3000 ~ 6000MHz < 1.5
D.W.V	800 VRMS, Min
Insulation Resistance	≥100MΩ
Mechanical	
Durability	25 Cycles Min
Insertion Force	≤25N
Withdraw Force	≥2N
Locking Device Strength	≥80N
Outer Contact Retention Force in Housing	≥100N
Suitable Cables	TGC-1.5DS, RG-174, RG-316, TGC/CFD200
Storage and Operational Temperature Range	-40°C - 105°C



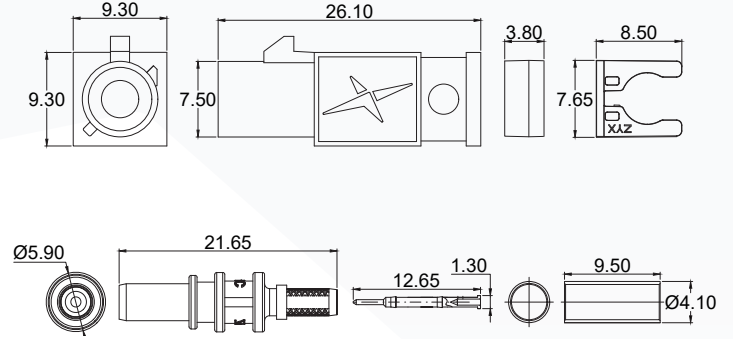
# FAKRA Code I - Beige

## Mechanical Drawings

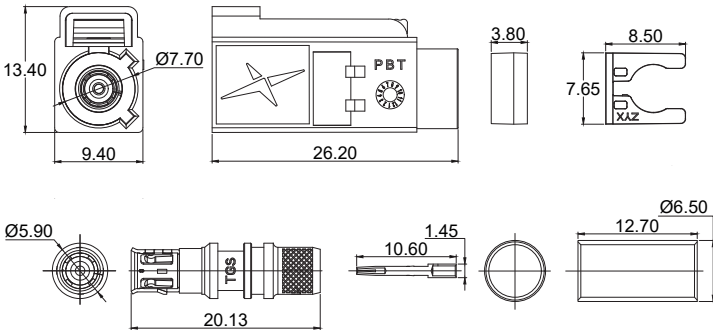
**FK1FIDK** - Code I Female Jack for RG-174/RG-316/TGC-1.5DS



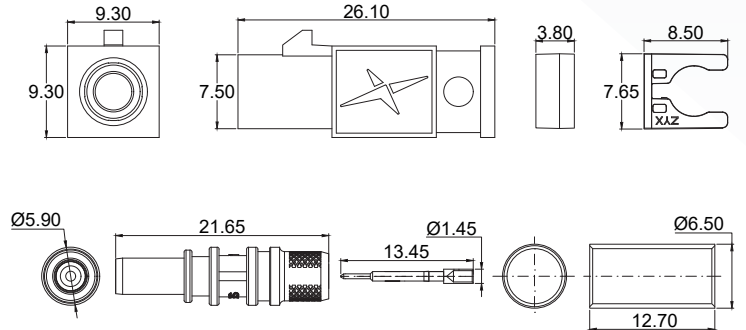
**FK0MIDK** - Code I Male Plug for RG-174/RG-316/TGC-1.5DS



**FK1FIG** - Code I Female Jack for TGC/CFD200



**FK0MIG** - Code I Male Plug for TGC/CFD200



Taoglas makes no warranties based on the accuracy or completeness of the contents of this document and reserves the right to make changes to specifications and product descriptions at any time without notice. Taoglas reserves all rights to this document and the information contained herein. Reproduction, use or disclosure to third parties without express permission is strictly prohibited.

