

## Specification

- Part No. : **MA120.A.QP.001**
- Product Name : Hercules GENII Screw mount 2in1  
450MHz and 868MHz  
(Separate cable and connectors)
- Features : Permanent Mount  
For smart meters and mesh networks  
450MHz and 868MHz Combo Antenna  
Peak Gain 3dBi for 450MHz Band  
1dBi for 868MHz Band  
Cable and Connector 1m RG-316 SMA (M)  
Height 29mm\* Diameter 49mm  
**RoHS & REACH Compliant**



## **1. Introduction**

The MA120 antenna is a high performance 450MHz and 868MHz combination thread mount antenna for external use with smart meters, gateways, mesh networks, vehicles and outdoor and indoor assets. It is designed for heavy duty work with extra thick threads. The UV resistant polycarbonate housing is resistant to vandalism and direct attack. At only 29mm high and a diameter of 49mm this unique antenna is the lowest profile and smallest worldwide.

The antenna has been tested in free space and on varying sizes of ground-planes, showing good frequency stability, allowing its use in many different mounting environments.

The standard cable and connector is 1 meter RG316. High quality FEP (Teflon) jacket is used for the cable. This makes the cable very flexible and able to operate in high temperature environments, corrosion resistant.

Note this antenna is designed for short range communication in the range of meters to hundreds of meters. For cable lengths longer than 2 meters or where very long communication ranges are desired, apart from needing a higher transmit power from the transmitter, it is recommended to go with much larger high gain stand-alone whip or fiberglass Omni type antennas, to counteract losses in the cables.

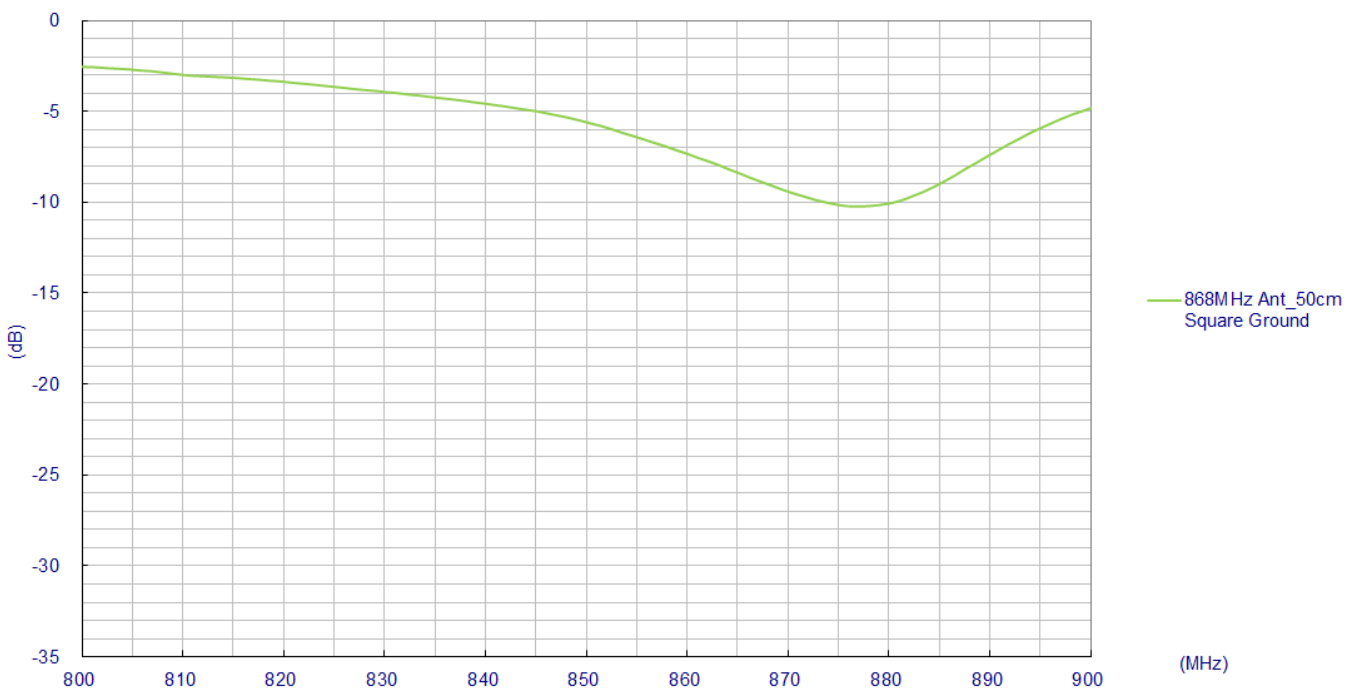
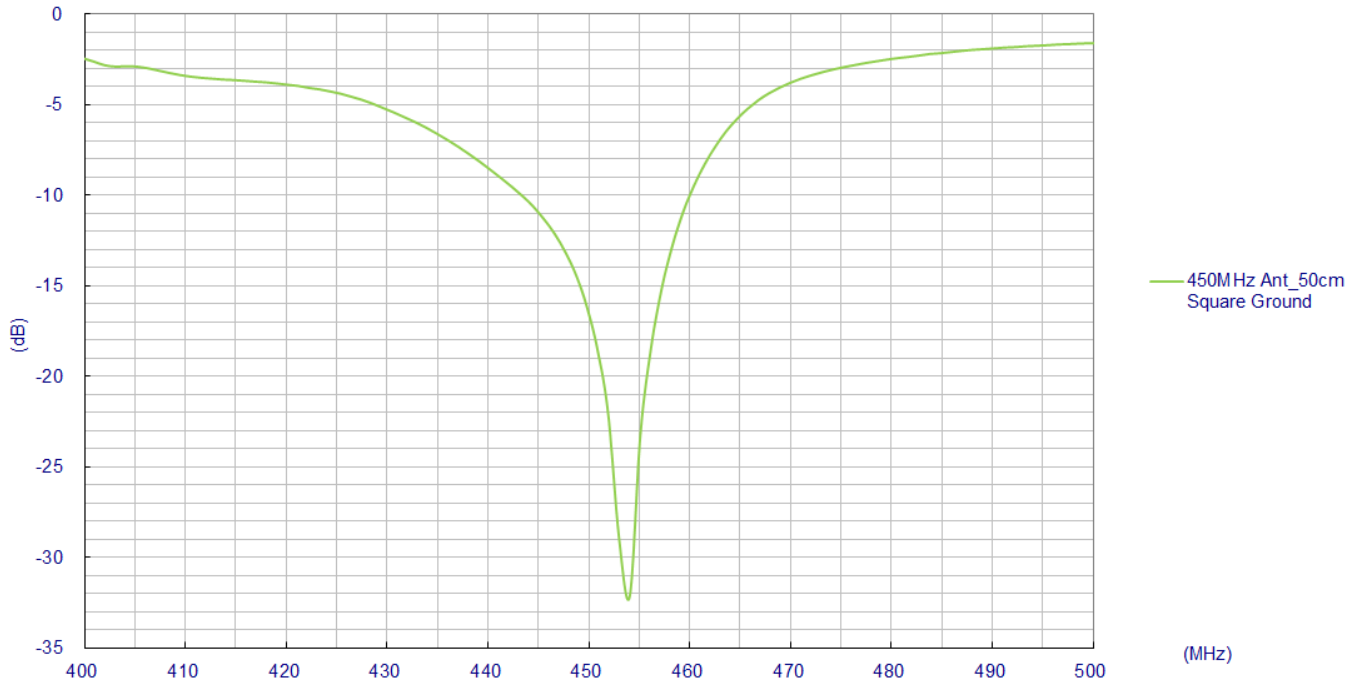
## 2. Specification

<b>ELECTRICAL</b>			
	ISM450	ISM868	
Frequency	450	868	MHz
Return Loss(min.)	10	10	dB
Peak Gain	3.91	1.11	dBi
Average Gain	-3.27	-4.52	dBi
Impedance	50Ω		
Polarization	Linear		
Radiation Properties	Omni-directional		
Max Input Power	5W		
<b>MECHANICAL</b>			
Dimensions (mm)	Height=29mm x Diameter=49mm		
Cable	1M RG316 coax- Fully Customizable		
Casing	PC Housing		
Base and Thread	Nickel plated steel		
Weather proof gasket	CR4305 foam with 3M9448HK double-side adhesive		
Connector	SMA Male - Fully Customizable		
Thread Diameter	18 mm		
Sealant	Rubber Stopper		
<b>ENVIRONMENTAL RATINGS</b>			
Corrosion	5% NACI for 48hrs- Nickel plated steel base and thread		
Temperature Range	40°C to +85°C		
Thermal Shock	100 cycles -40 C to +85 C		
Humidity	Non-condensing 65 C 95% RH		
Shock (Drop Test)	1m drop on concrete 6 axes		
Cable Pull	8Kgf		

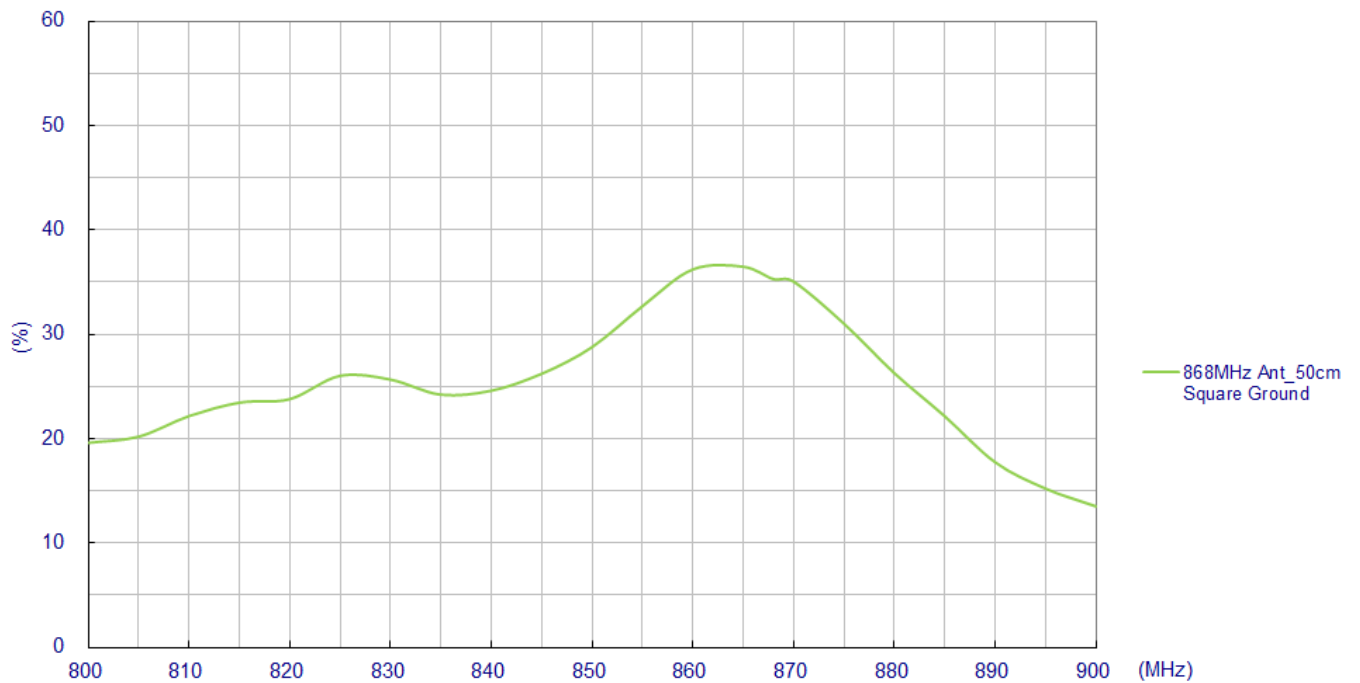
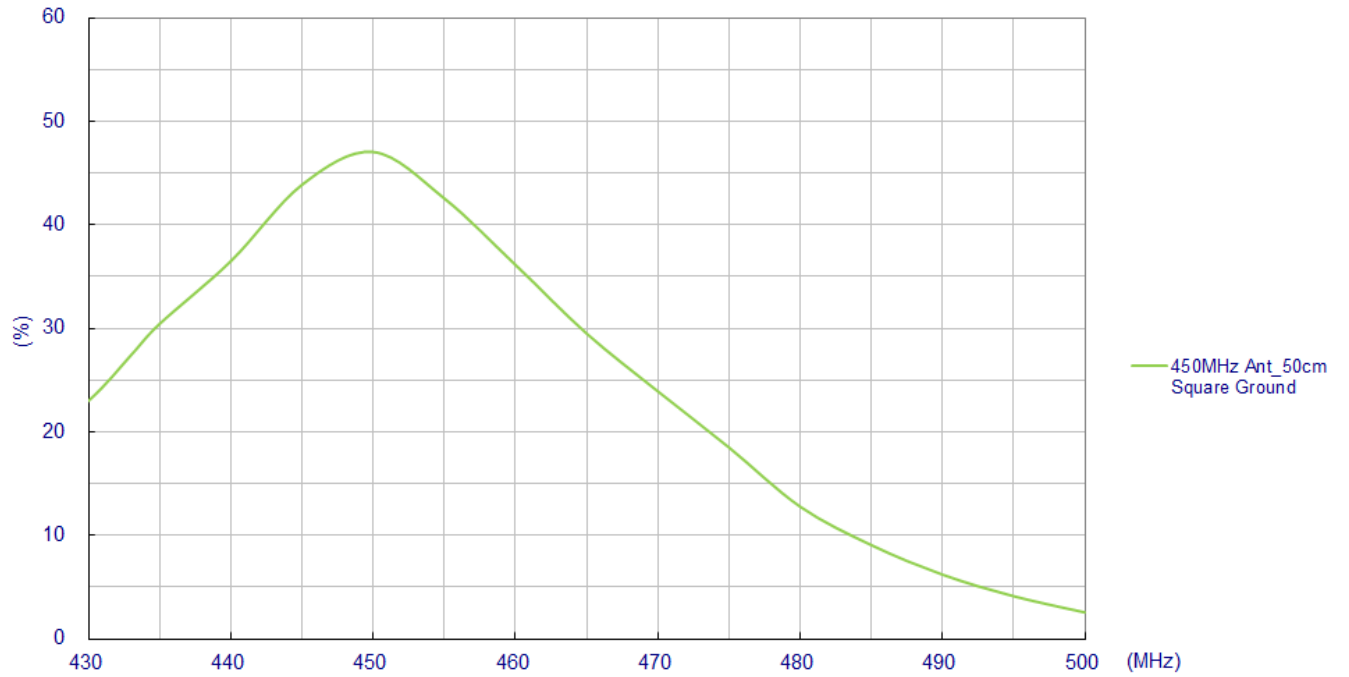
\*Results from mounting on 50\*50cm ground plane

### 3. Antenna Characteristics

#### 3.1 Return Loss

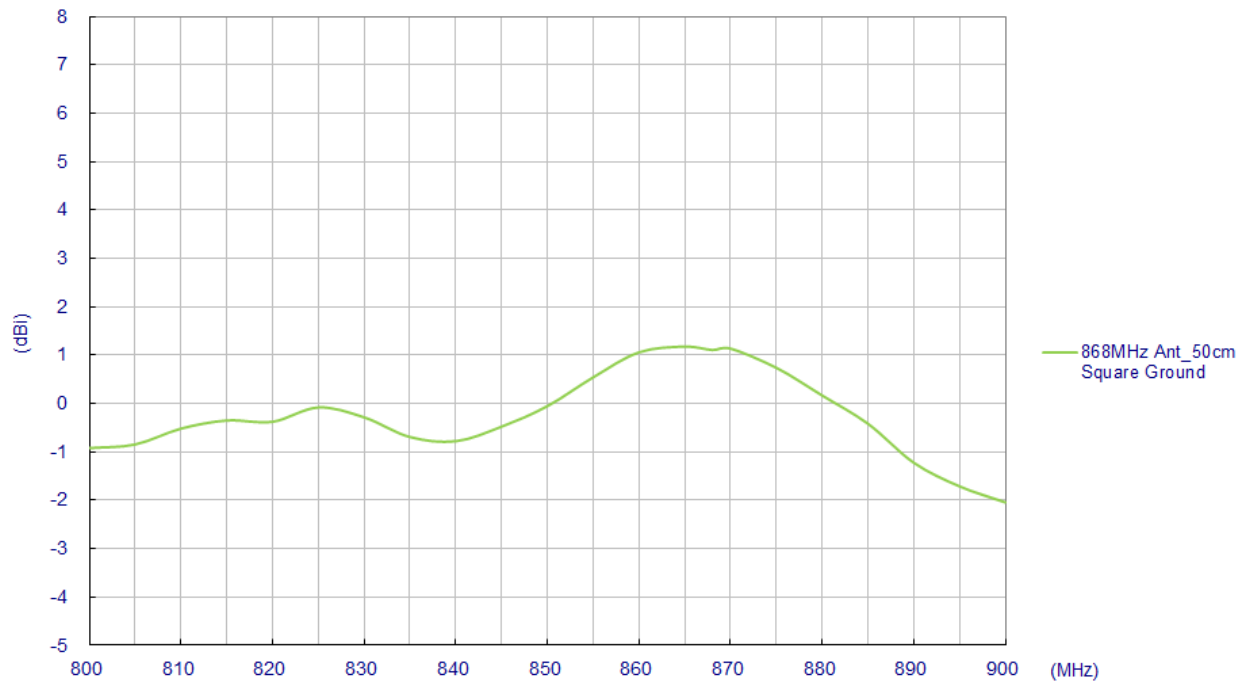
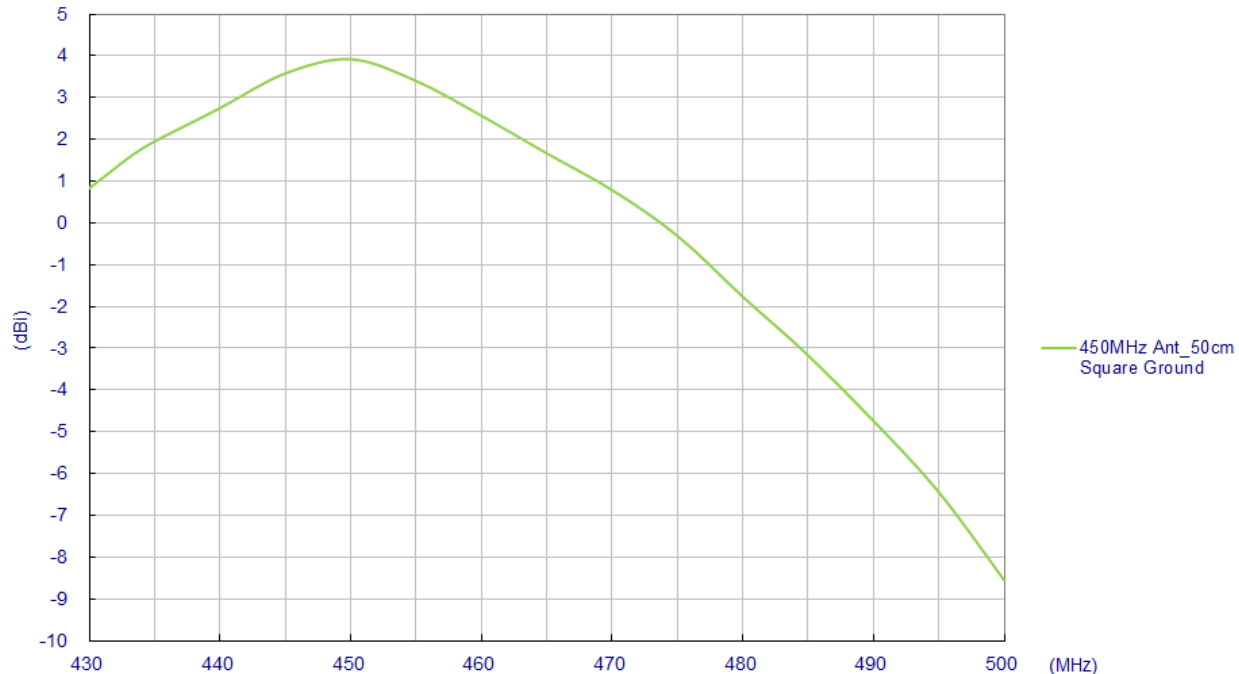


## 3.2 Efficiency



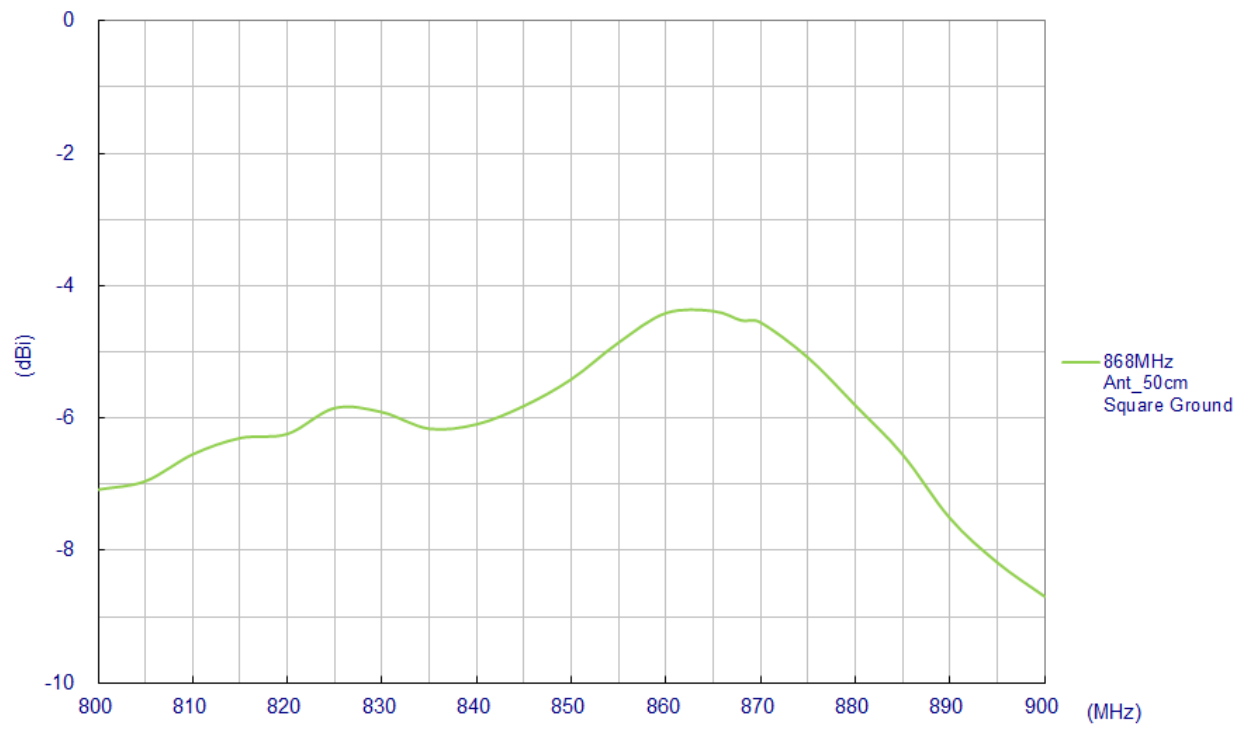
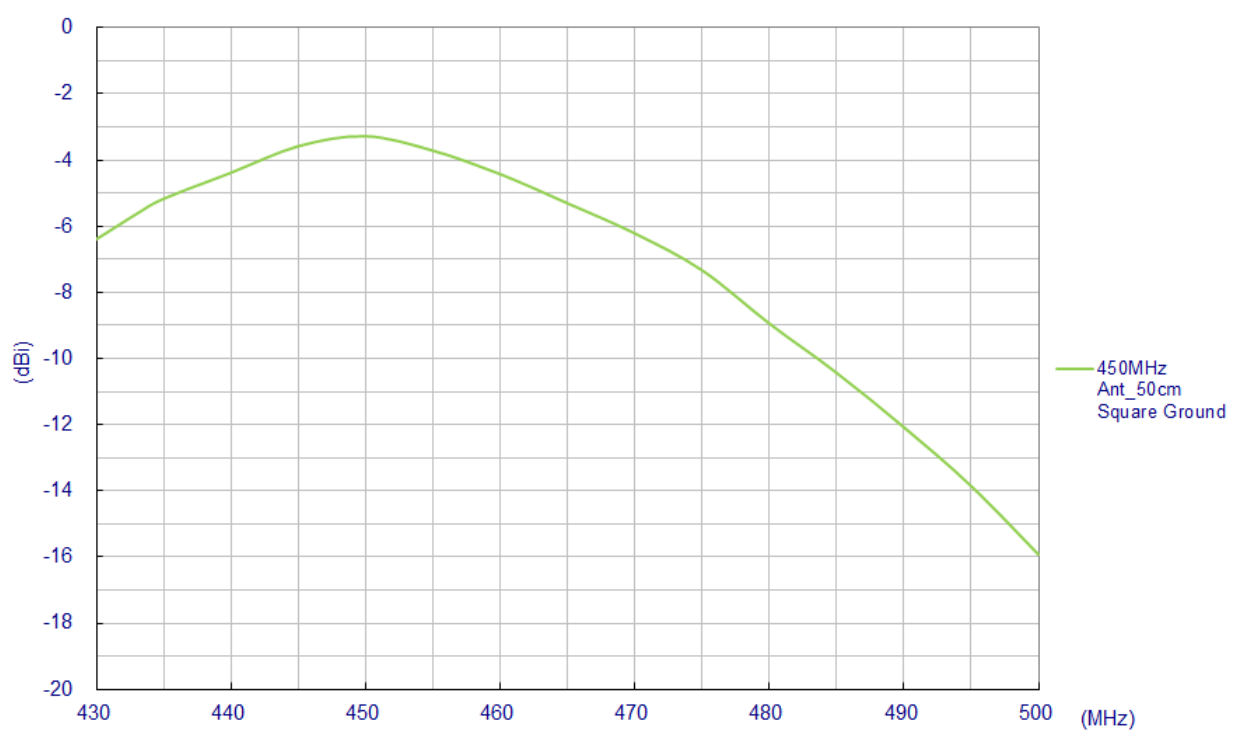


### 3.3 Peak Gain





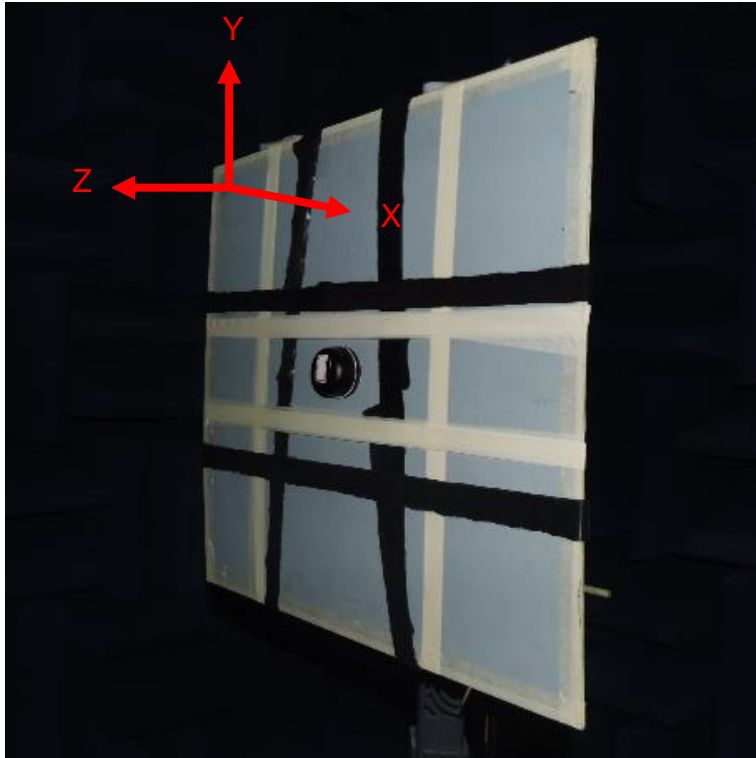
## 3.4 Average Gain



## 4. Antenna Radiation Patterns

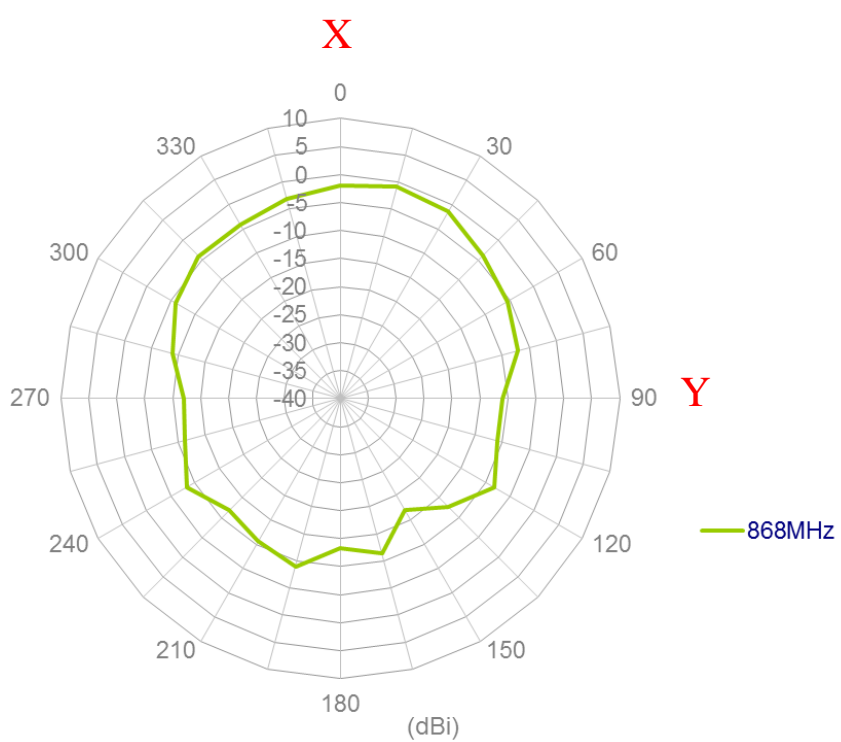
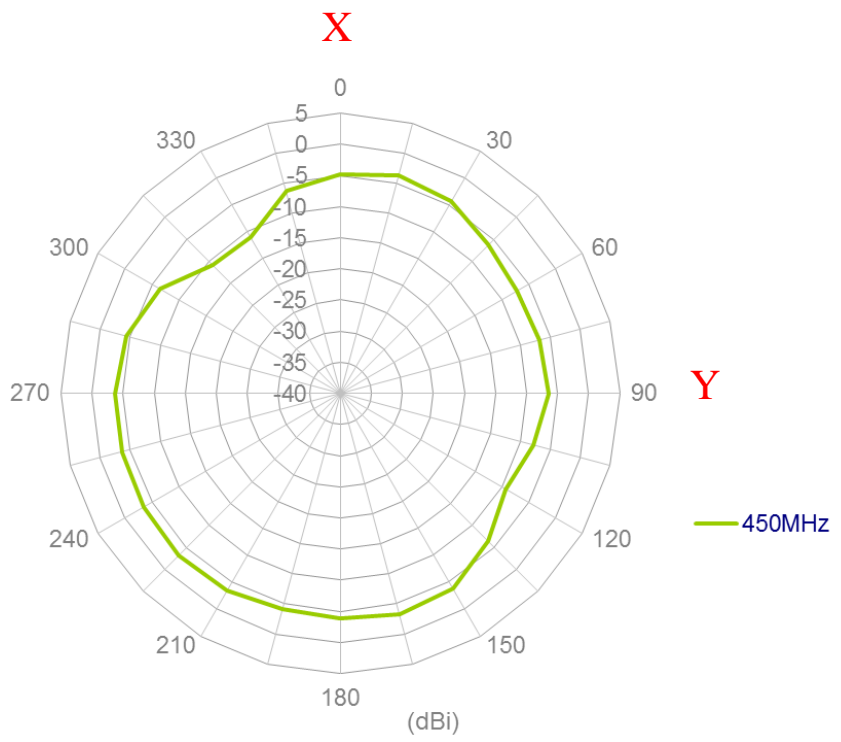
### 4.1 Antenna setup

The antenna radiation pattern measured setup as shown the below,



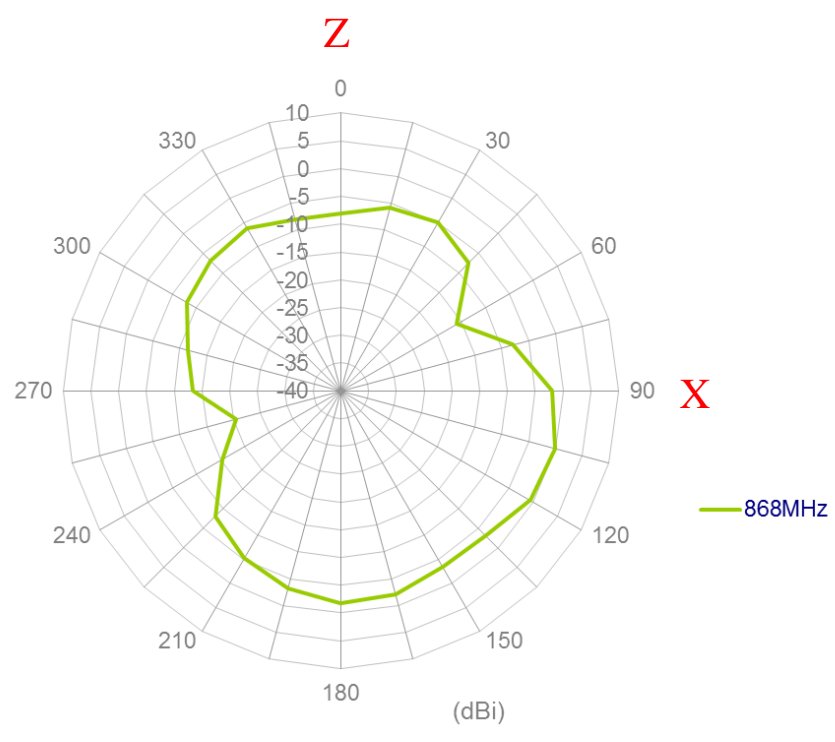
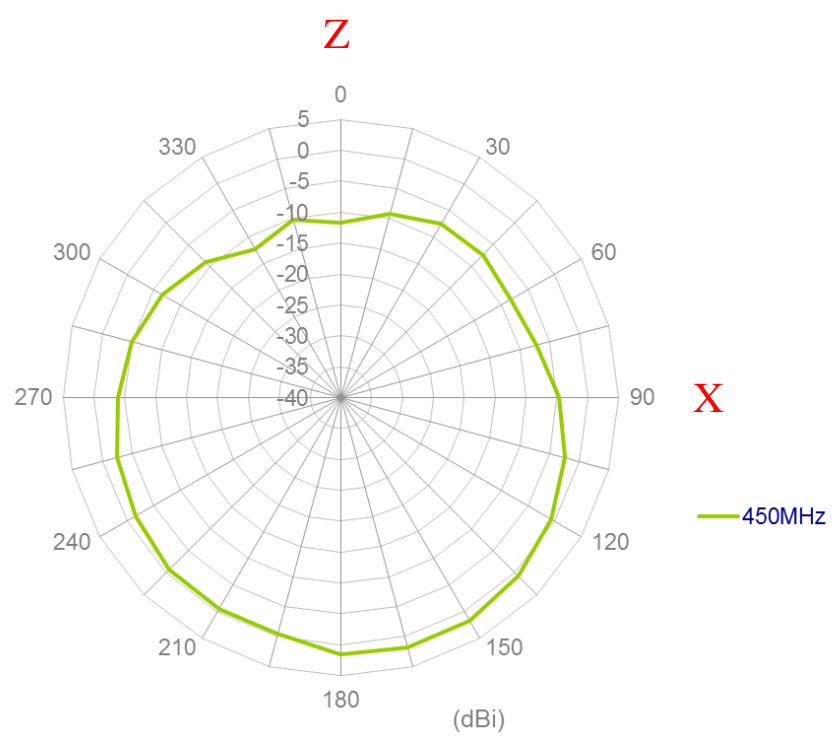


**4.2 Antenna radiation patterns**  
**XY-Plane**

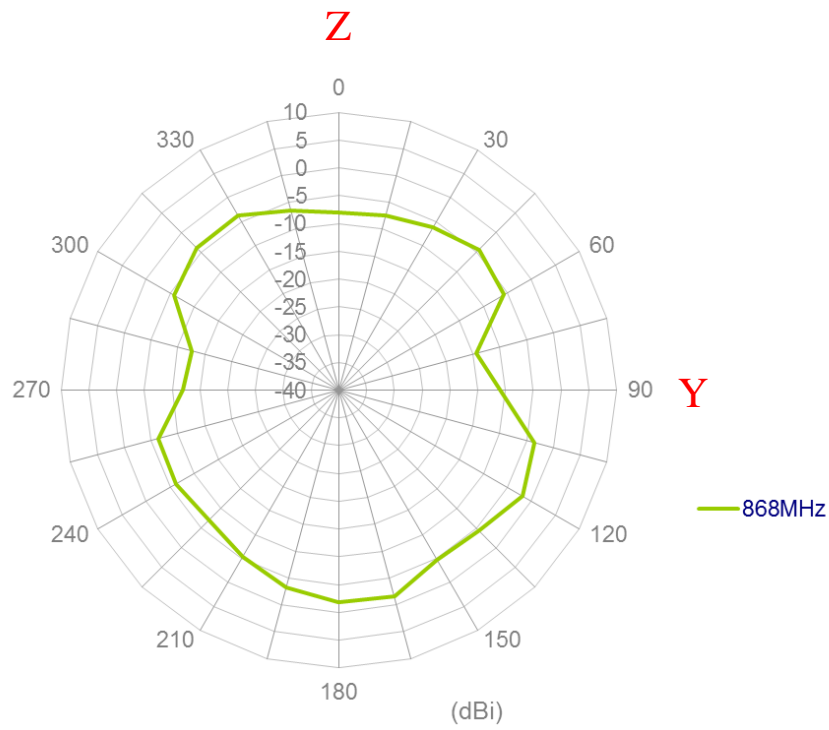
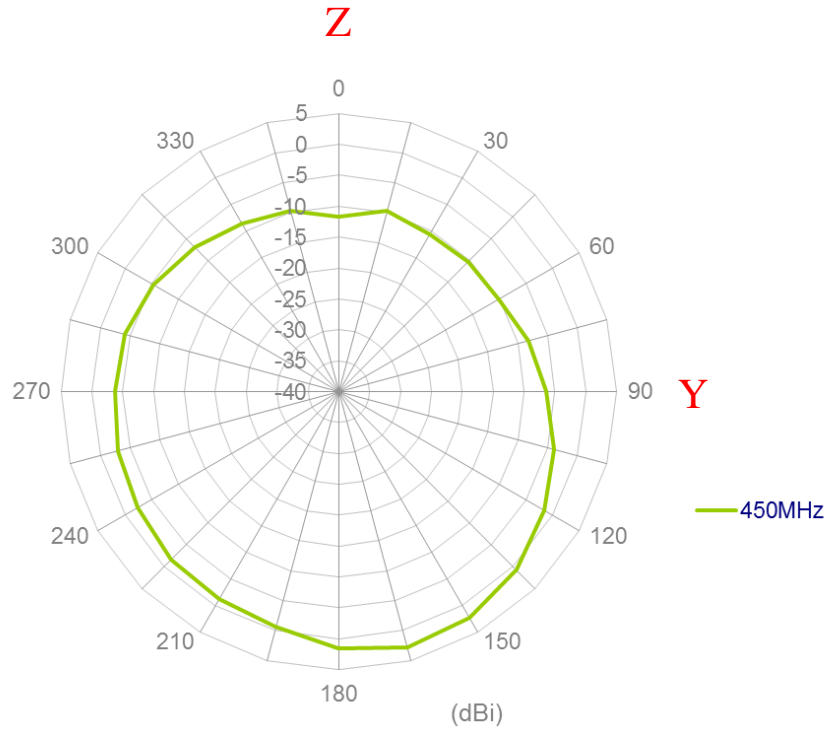




## XZ-Plane

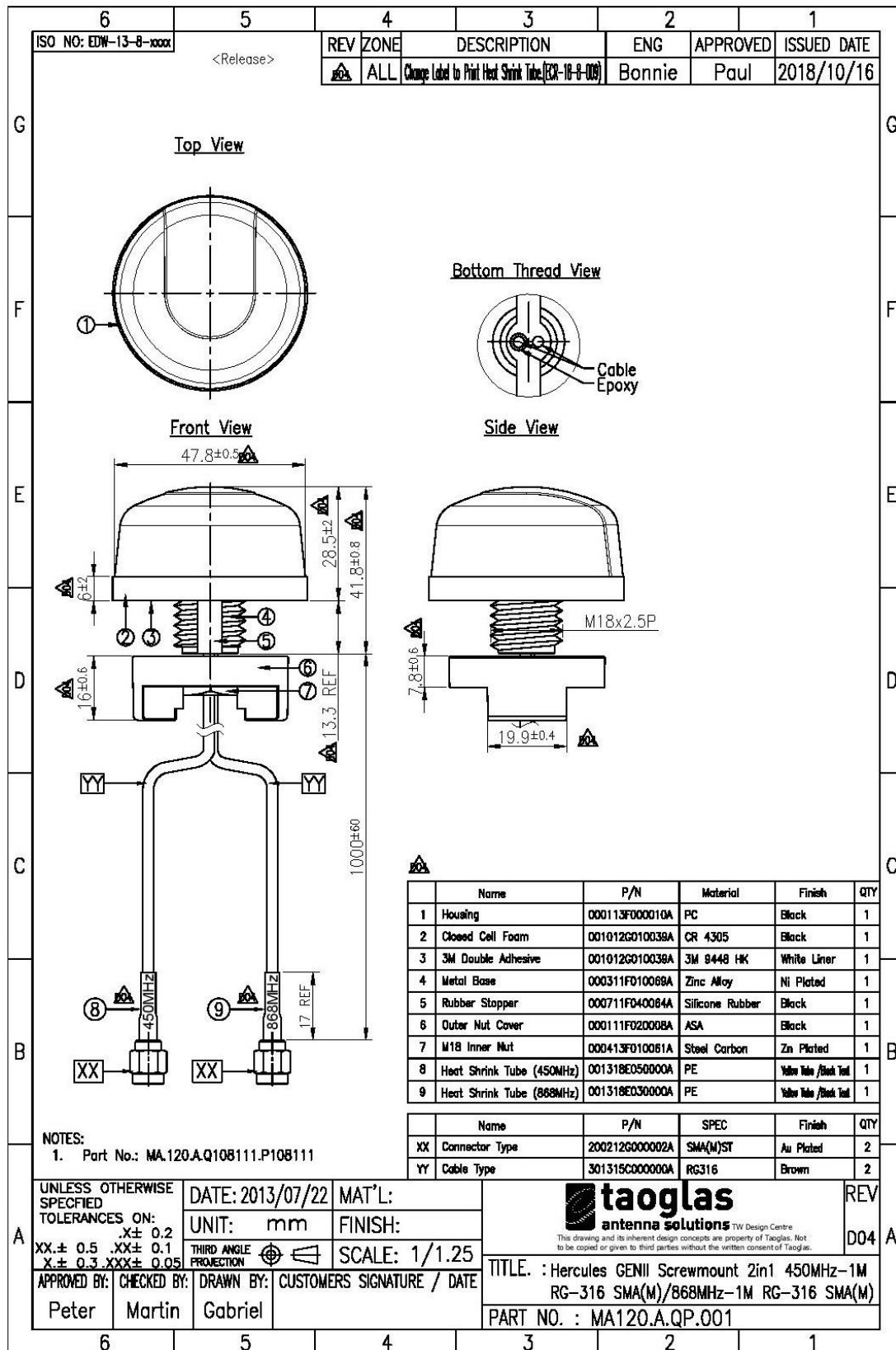


**YZ-Plane**

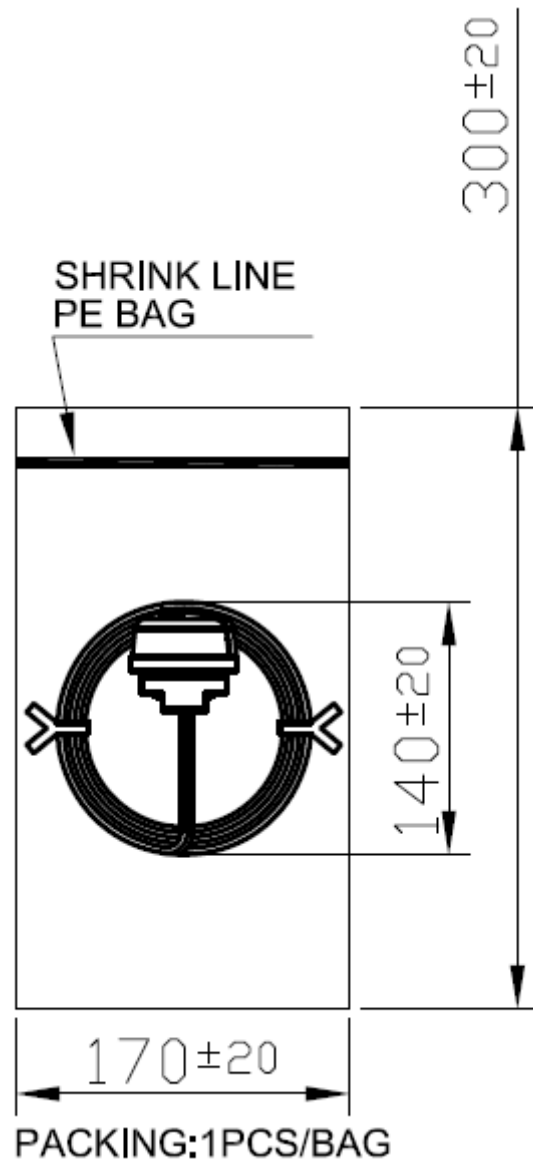




## 5. Drawing



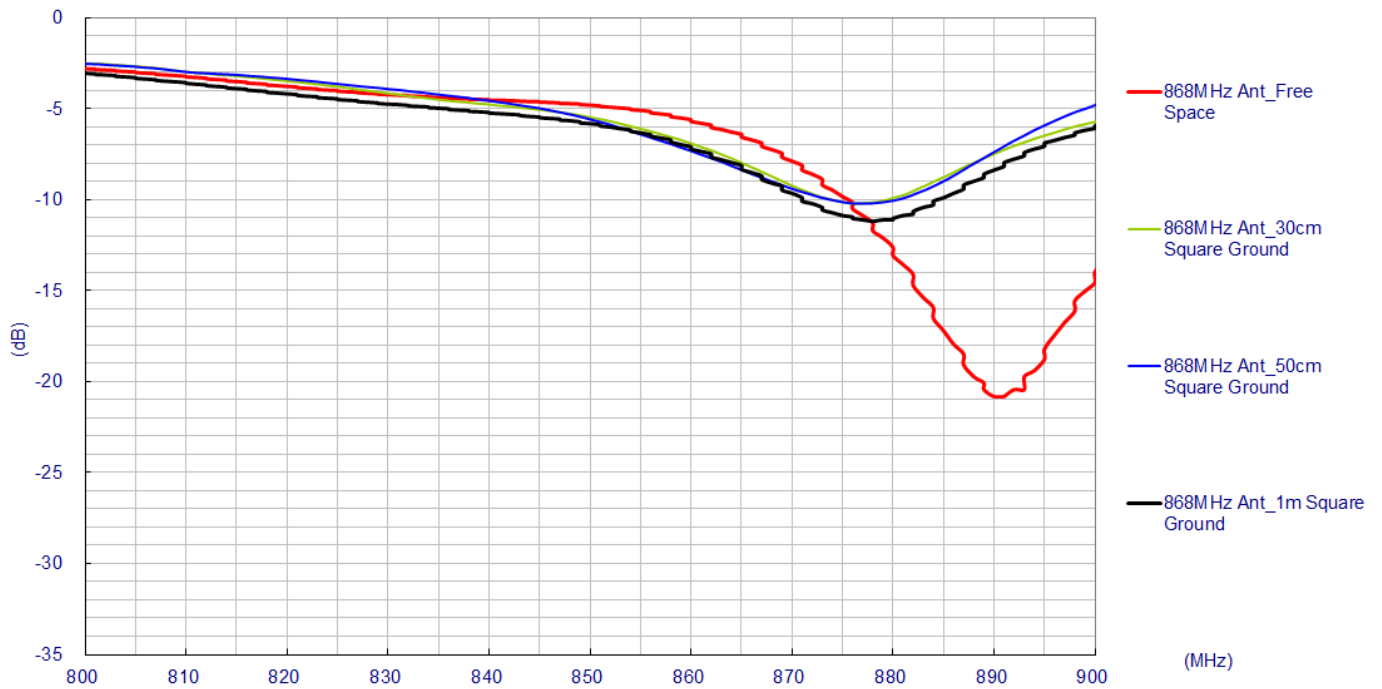
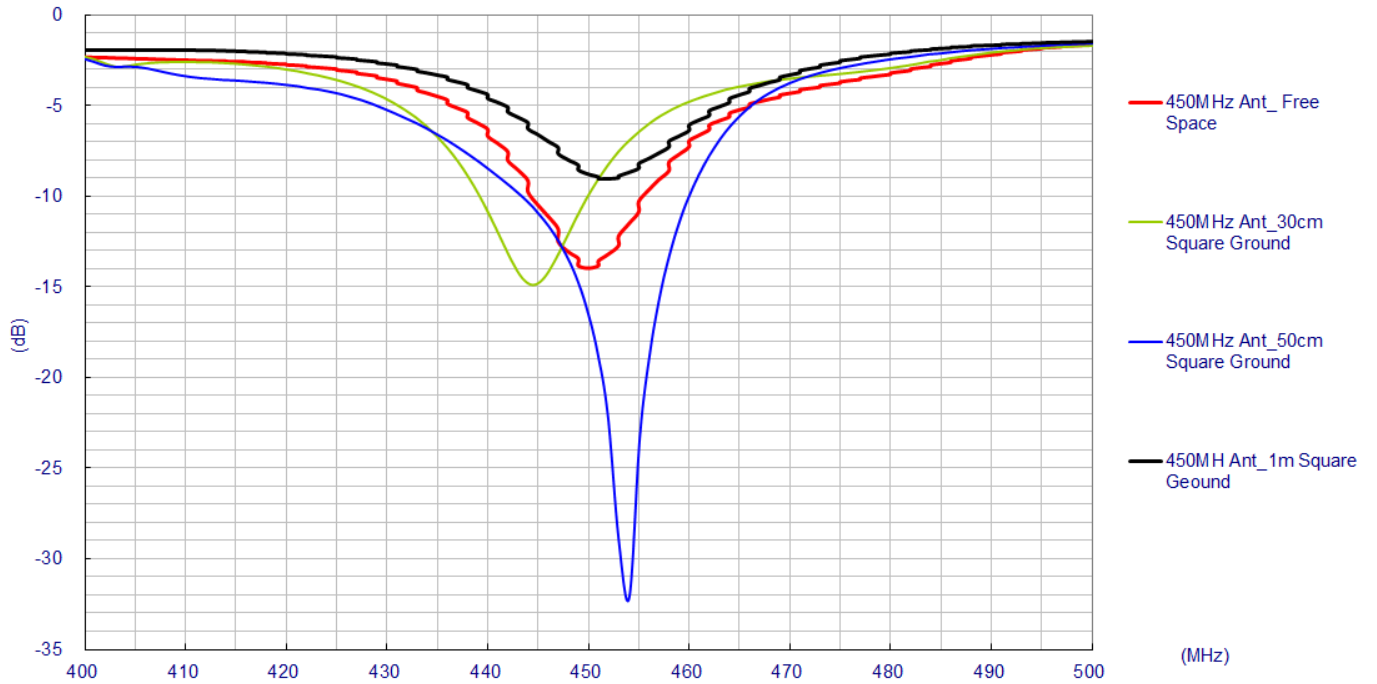
## 6. Packaging



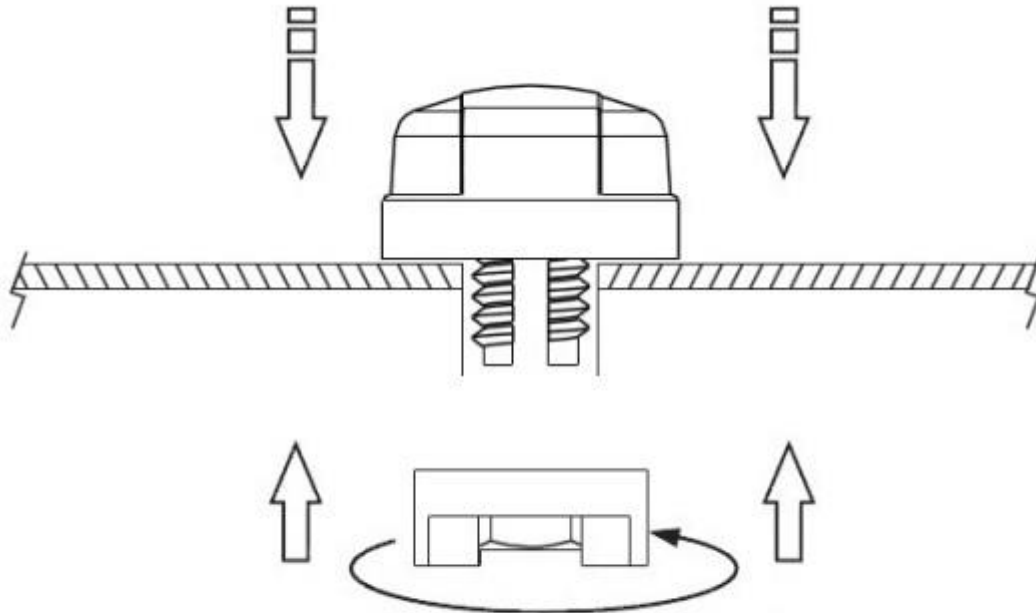


## 7. Application Note

Taoglas provides this antenna return loss results with different ground conditions. Detail, please observe below.



## 8. Installation



Recommended torque for Mounting is 24.5N·m  
Maximum torque for mounting is 29.4 N·m

Taoglas makes no warranties based on the accuracy or completeness of the contents of this document and reserves the right to make changes to specifications and product descriptions at any time without notice. Taoglas reserves all rights to this document and the information contained herein.

Reproduction, use or disclosure to third parties without express permission is strictly prohibited.

© Taoglas