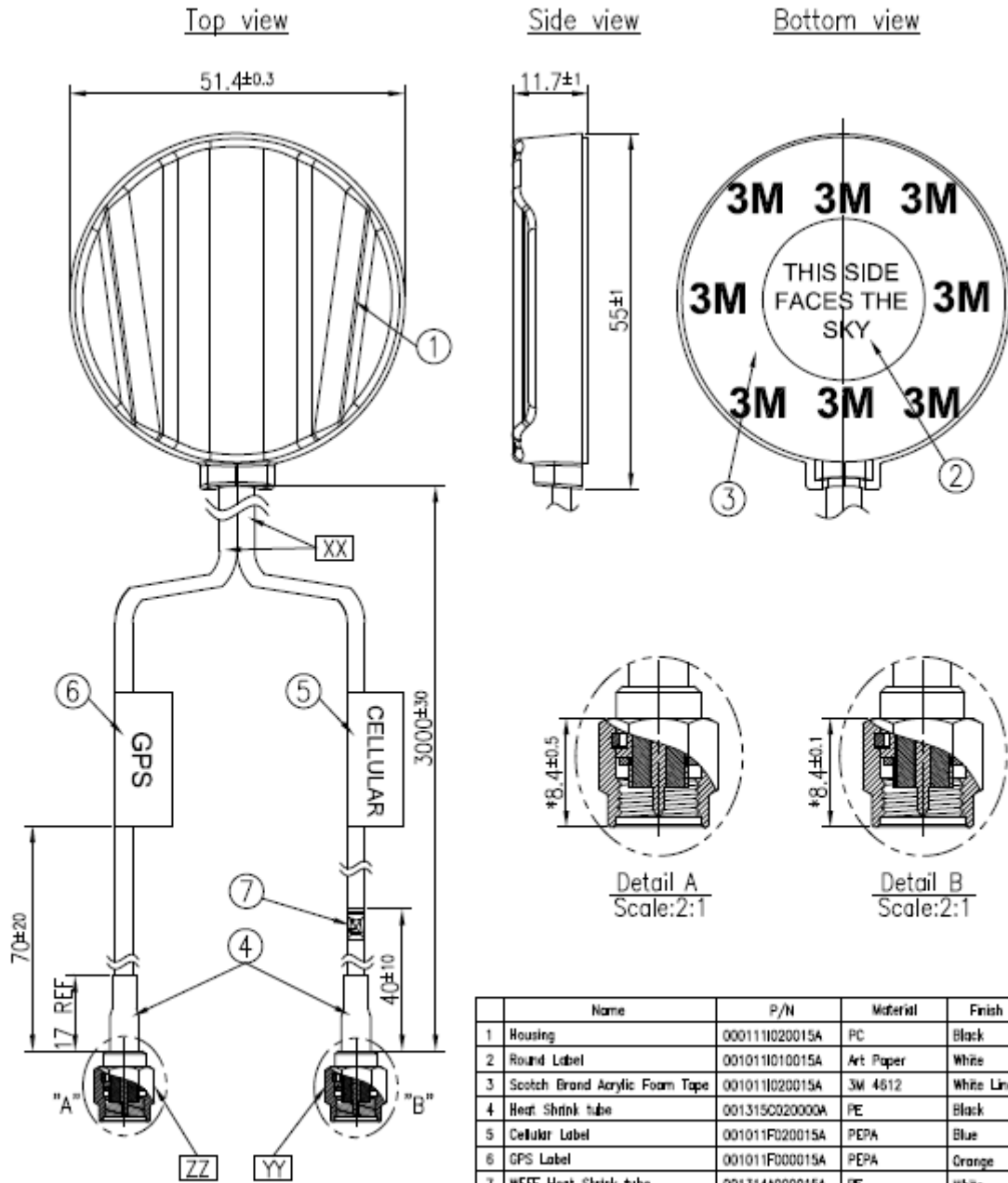


4. Mechanical Drawings (Unit: mm)



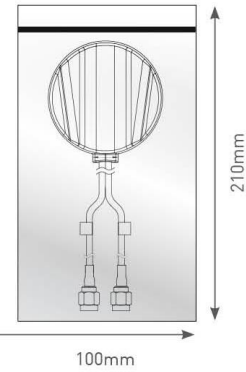
NOTE:
1. Part Number: MA.203.A.A301111.B301131

	Name	P/N	Material	Finish	QTY
1	Housing	000111020015A	PC	Black	1
2	Round Label	001011010015A	Art Paper	White	1
3	Scotch Brand Acrylic Foam Tape	001011020015A	3M 4612	White Liner	1
4	Heat Shrink tube	001315C020000A	PE	Black	2
5	Cellular Label	001011F020015A	PEPA	Blue	1
6	GPS Label	001011F000015A	PEPA	Orange	1
7	WEEE Heat Shrink tube	001314A000015A	PE	White	1

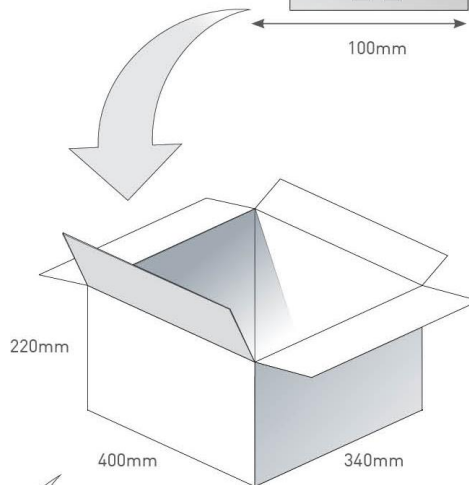
	Name	P/N	Material	Finish	QTY
XX	Cable Type	301315C000000A	RG174	Black	2
YY	Connector Type	200211K000015A	SMA(M) ST	Ni Plated	1
ZZ	Connector Type	200212G000015A	SMA(M) ST	Au Plated	1

5. Packaging

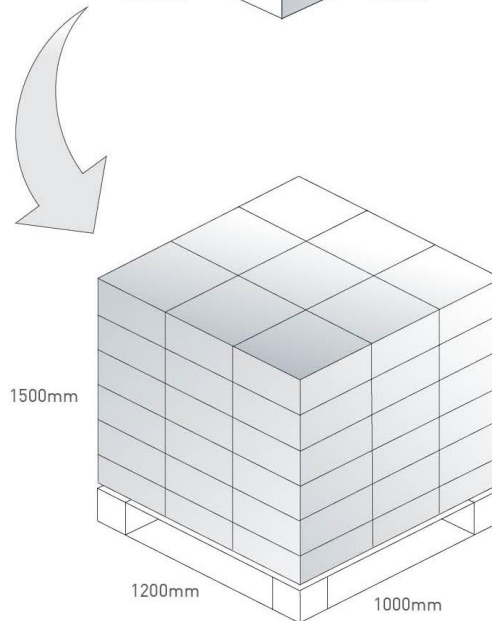
1 pc MA203.A.AB.035 per PE bag
 Dimensions - 210*100mm
 Total Weight - 121g



10 pcs MA203.A.AB.035 per carton
 Carton Dimensions - 400*340*220mm
 Weight - 10.73kg



Pallet Dimensions 1200*1000*1500mm
 54 Cartons per pallet
 9 Cartons per layer
 6 Layers



Taoglas makes no warranties based on the accuracy or completeness of the contents of this document and reserves the right to make changes to specifications and product descriptions at any time without notice. Taoglas reserves all rights to this document and the information contained herein.

Reproduction, use or disclosure to third parties without express permission is strictly prohibited.

Copyright © Taoglas Ltd.