

## Specification

**Part No.** : **NMODM.34.N.YN**

**Description** : High Performance NMO Direct Mount  
3/4 inch Hole Brass for RG-58 / CFD-200 / LMR-200  
Cables

**Features** : High performance rated up to 6000MHz  
Suitable for

- Mobile Land Radio
- 2G/3G/4G LTE
- WiFi
- Public Safety

Gold plated contact for greater conductivity

Nickle plated brass body for corrosion resistance

Suitable for RG-58 or CFD-200 cables

RoHS Compliant



## 1. Introduction

The Taoglas NMODM.34.N.YN direct mount NMO connector is targeted at the Land Mobile Radio, Vehicular, Public Safety as well as the Commercial and Industrial markets. The 'Motorola style' connector is designed specifically for high frequency usage and provides market leading performance up to 6GHz.

Testing against other leading brand's 6GHz NMO connectors has proven that the Taoglas NMODM.34.N.YN NMO connector has better performance at higher frequency. The attenuation of the NMODM.34.N.YN is greatly reduced, which is critical for more coverage at applications above 2GHz, such as LTE between 1900MHz and 2600MHz, or at 5GHz for Wi-Fi.

O-ring and NMO ring adaptor are included. It is compatible with RG-58, LMR200 and CFD200 low loss coaxial cables.

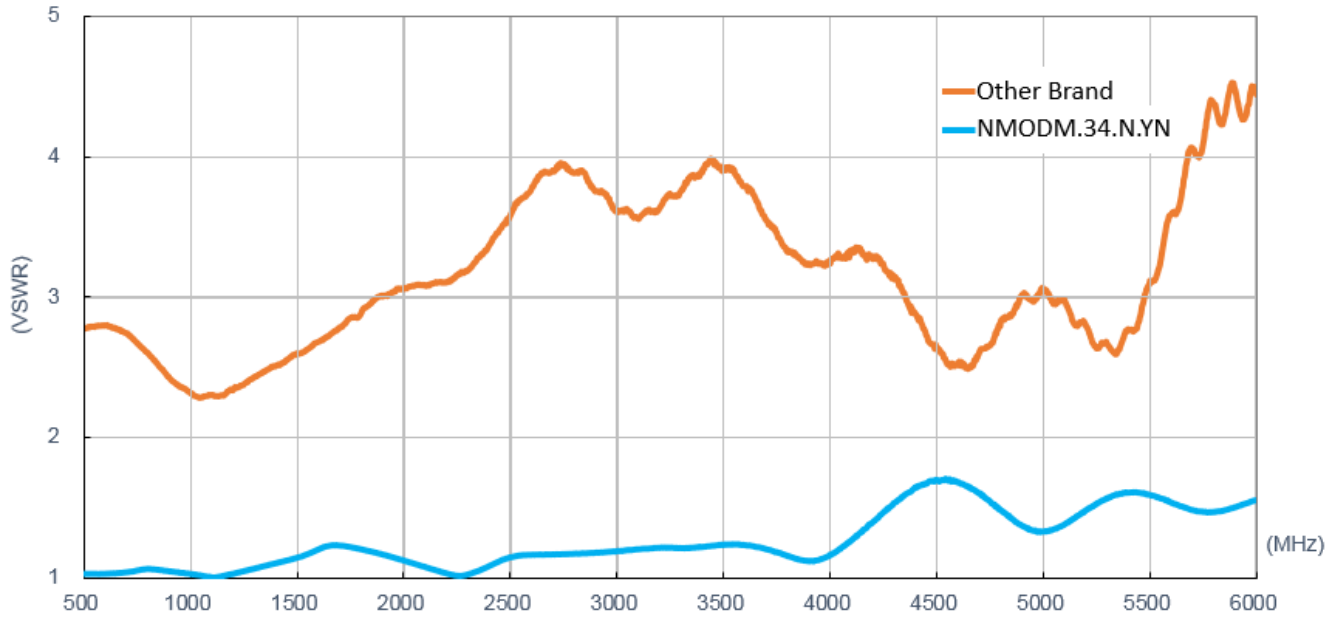
Full cable assemblies including cable and connectors are available, contact your regional Taoglas office for further information.

## 2. Specification

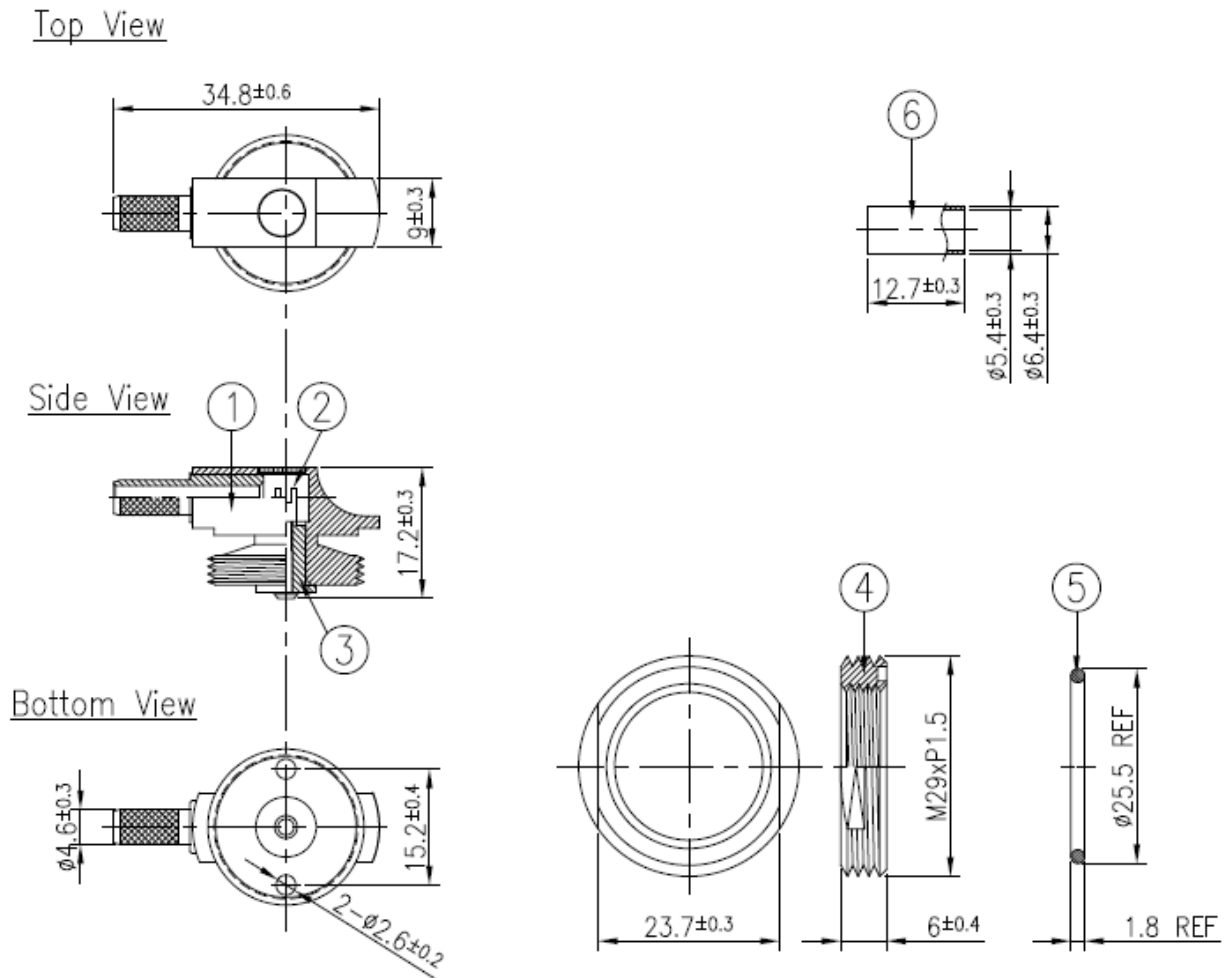
MECHANICAL	
Dimension	34.8 x M29 x 17.2 (L x $\Phi$ x H)
Material	Brass
Finished	Nickle plated
IP Rating	IP67 sealed at mounting surface
Installation Hole Size	3/4" ( 19.05 mm )
Applicable thickness	0.030" ~0.100" ( 0.761mm~2.54mm )
Weight	34.4g
ENVIRONMENTAL	
Salt Spray [IEC 60068]	48 hours
Storage Temperature	-40°C to 85°C
Operating Temperature	-40°C to 85°C

### 3. Electrical Performance

VSWR Chart



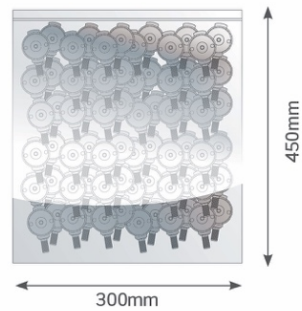
## 4. Drawing



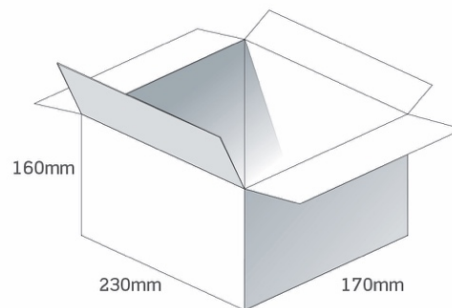
	Name	Material	Finish	QTY
1	Body	Brass	Ni Plated	1
2	Pin	Brass	Au Plated	1
3	Insulator	PTFE	White	1
4	Nut	Brass	Ni Plated	1
5	O-Ring	Silicone	Black	1
6	Ferrule	Brass	Ni Plated	1

## 5. Packaging

100 pcs NMODM.34.N.YN per PE Bag  
Bag Dimensions - 300 x 450mm  
Weight - 3.44kg



200 pcs NMODM.34.N.YN per carton  
Carton - 230x 170 x 160mm  
Weight - 7Kg



Taoglas makes no warranties based on the accuracy or completeness of the contents of this document and reserves the right to make changes to specifications and product descriptions at any time without notice. Taoglas reserves all rights to this document and the information contained herein.

Reproduction, use or disclosure to third parties without express permission is strictly prohibited.

Copyright © Taoglas Ltd.