



TAOGLAS®



Datasheet

28 x 9 mm Miniature Speaker 500mW

Part No:
SPKM.289.8.A

Description:
28 x 9 mm Speaker 8 Ohm 500mW RMS

Features:

- 8 Ohm Impedance
- Peak Power 1W
- High Sensitivity
- Distortion Free
- Dimensions: 28 x 9 x 3.5mm
- Connector: Wire Lead
- RoHS & Reach Compliant

1.	Introduction	3
2.	Specifications	4
3.	Speaker Measurement Conditions	6
4.	Speaker Characteristics	7
5.	Mechanical Drawing	8
6.	Packaging	9
<hr/>		
	Changelog	10

Taoglas makes no warranties based on the accuracy or completeness of the contents of this document and reserves the right to make changes to specifications and product descriptions at any time without notice. Taoglas reserves all rights to this document and the information contained herein.

Reproduction, use or disclosure to third parties without express permission is strictly prohibited.



1. Introduction



Designed for electronic and IoT devices, the Taoglas SPKM range of dynamic audio miniature speakers deliver long-lasting pure and true sound, critical for a product that requires clear audio output.

With an 8 Ohm rating, the SPKM miniature speakers have high sensitivity and deliver distortion free, high fidelity audio. They can handle power burst in excess of 0.8W (over a short period) and are ideal solutions for applications requiring audio such as Smart Home and Security, IoT Devices or Toys.

Manufactured from high quality materials and high performance Neodymium magnets, they are designed for ease of integration and design flexibility. The speakers come in a variety of form factors and sizes and supplied with industry standard 32-AWG paired cables.

Contact your regional Taoglas customer service team for more information or to discuss our audio services or for customized solutions to suit your device.

The below table shows a guide to help select the best speaker for your application based on size requirements:

Part Number	Dimensions
SPKM.10.8.A	Ø10 x 3.5 mm
SPKM.15.8.A	Ø15 x 3.7 mm
SPKM.17.8.A	Ø17 x 4.4 mm
SPKM.20.8.A	Ø20 x 4.3 mm
SPKM.23.8.A	Ø23 x 6 mm
SPKM.28.8.A	Ø28 x 5.1 mm
SPKM.2030.8.A	30 x 20 x 5.1 mm
SPKM.2413.8.A	24 x 13 x 8.7 mm
SPKM.289.8.A	28 x 9 x 3.8 mm
SPKM.50.8.A	Ø50 x 8.3 mm

2. Specifications

Electroacoustic	
Sound Pressure Level	88±3dB SPL @1000Hz(0dB SPL=20μPa) Measuring Condition: 0.5W (Sine wave) 0.1m measured with baffler shown in Fig.1.
Impedance	8±15%Ω (@ 2 KHz 1V) without baffler
Frequency Response	0Hz-10KHz
Resonant Frequency	1000±20%Hz Typ @ 1V
Nominal Input Power	0.5 W
Maximum Input Power	1 W
Distortion	Less than 10% @1KHz , 0.1W frequency range, input level up to 2 Vrms
Mechanical	
Height	3.5 mm
Length	28 mm
Width	9 mm
Weight	0.005 Kg
Connector	Wire leads - AWG#32 (UL1571)
Material	PEI diaphragm with Nd-Fe-B Magnet (need case material)
Environmental	
Temperature Range	-40°C to 80°C
Humidity	Non-condensing 65°C 95% RH

Reliability Testing		
High Temperature Test	Temp	+80±2°C
	Duration	96 Hours
Low Temperature Test	Temp	-40±2°C
	Duration	96 Hours
Heat Shock Test	High Temp	+75±2°C
	Low Temp	-40±2°C
	Changeover time	<30 Seconds
	Duration	1 hour
	Cycle	100
Humidity Test	Temp	+40±2°C
	Relative humidity	90~95%
	Duration	96 Hours
Temperature Cycle Test	Temp	-40/+75°C
	Duration	45 minutes
	Temperature gradient	1~3°C/min
	Cycle	25
Drop Test	Mounted with dummy set mass	10g
	Height	1m
	Cycle	6
Load Test	White noise (EIA filter) for 96 hours @0.5W (2V) input power	
	White noise (EIA filter) for 1 minute @0.8W (2.5V) input power.	

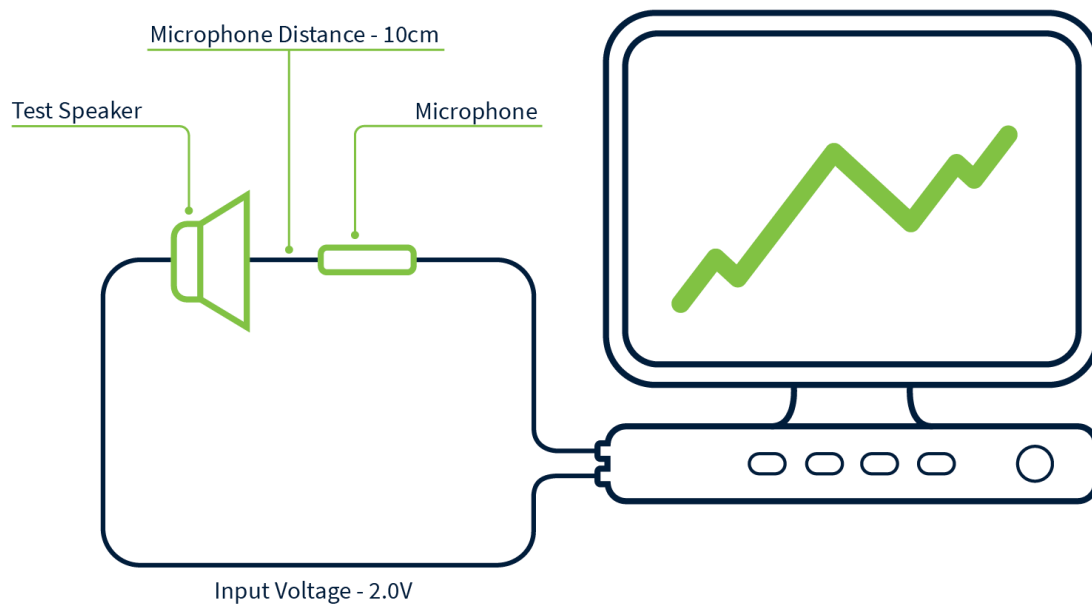
* The sound pressure as specified will neither deviate more than ±3dB from the initial value, nor have any significant damage after any of following testing.

3. Speaker Measurement Conditions

3.1 Conditions

Standard Test Fixture Conditions	
Input Power	0.5W(2V)
Zero Level	-dB
Mode	TSR
Potentiometer Range	50dB
Sweep Time	0.5 seconds

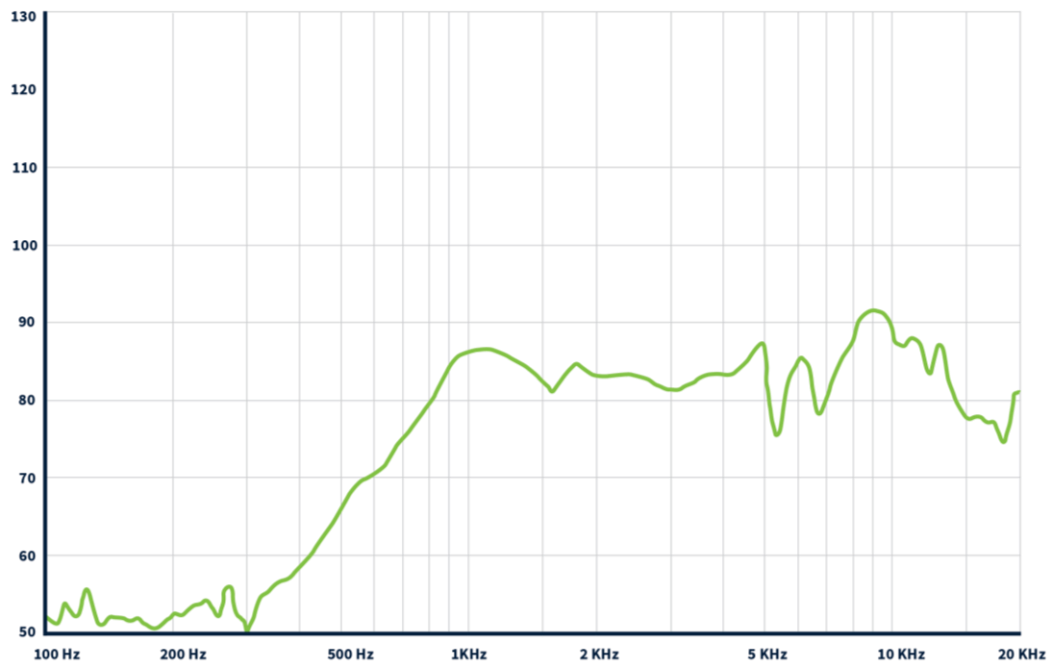
3.2 Measurement Fixture Diagram



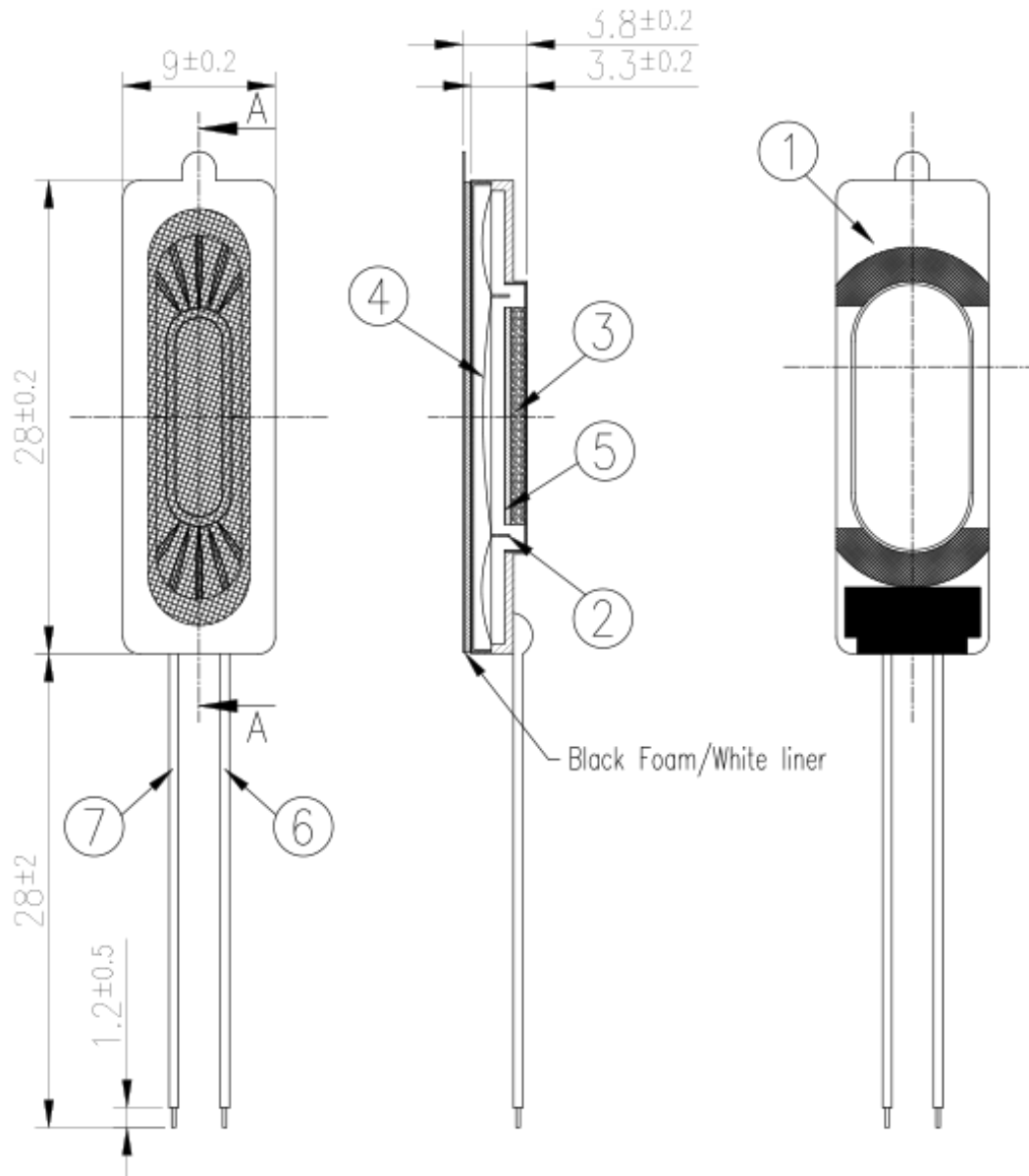
4. Speaker Characteristics

4.1 SPL

dB SPL vs. Frequency



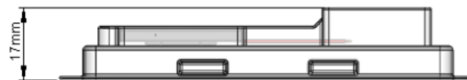
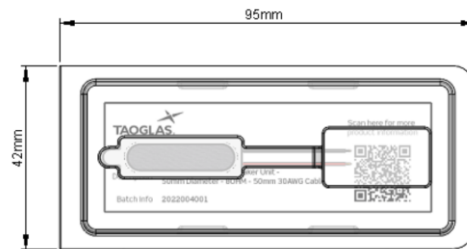
5. Mechanical Drawing (Units: mm)



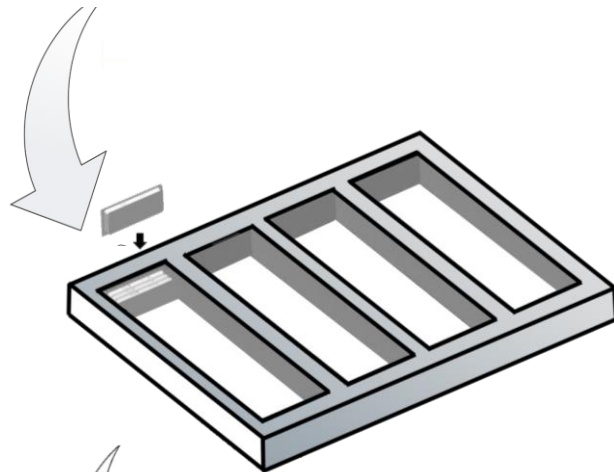
	Name	Material	Finish	QTY
1	28x9X2.8mm Frame	PBT+Fe	Black+Zinc Plated-Blue White	1
2	12.8X3.8X1.2H 8Ω Voice coil	Cu	Natural	1
3	12.2x3.2x0.9mm Magnet	Nd-Fe-B	Zinc Plated	1
4	8.2x27.2x25μ Diaphragm	PEN	Natural	1
5	Gasket	T=1mm(Fe)	Zinc Plated-Blue White	1
6	UL1571 32AWG Lead wire	PE	Black	1
7	UL1571 32AWG Lead wire	PE	Red	1

6. Packaging

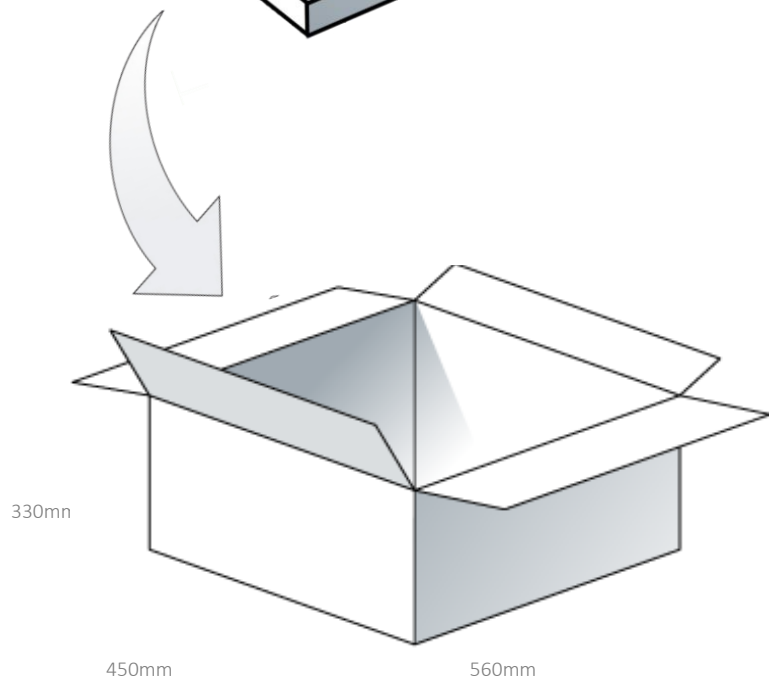
1 pcs SPKM.289.8.A per Blister
 Dimensions – 95 x 42 x 17mm



160 pcs SPKM.289.8.A per EPE Tray
 6 Trays SPKM.289.8.A per Carton
 7 pcs SPKM.289.8.A per Layer Board



960 pcs SPKM.289.8.A per Carton
 Dimensions – 560 x 450 x 330mm



Changelog for the datasheet

SPE-22-8-002 – SPKM.289.8.A

Revision: A	
Date:	18-02-2022
Changes:	Initial release
Changes Made by:	Jack Conroy

Previous Revisions



TAOGLAS®

www.taoglas.com

