



TAOGLAS®



Datasheet

10 Inch Subwoofer Speaker - 4 Ohm

Part No:
SPKR.10.4.A

Description:

10" Subwoofer Speaker - 4 Ohm 80W RMS
Rugged design for installation in a wide range of vehicles

Features:

4 Ohm Impedance
Rated Input Power 80W RMS
Max Input Power 160W peak
High Sensitivity
Dimensions: 244 x 116 mm
Connector: Packard Electric 12052832
RoHS & Reach Compliant

1. Introduction	3
2. Specifications	4
3. Speaker Characteristics	5
4. Mechanical Drawing	6
5. Packaging	7
<hr/>	
Changelog	8

Taoglas makes no warranties based on the accuracy or completeness of the contents of this document and reserves the right to make changes to specifications and product descriptions at any time without notice. Taoglas reserves all rights to this document and the information contained herein. Reproduction, use or disclosure to third parties without express permission is strictly prohibited.

Copyright © Taoglas Ltd.



1. Introduction



Featuring a rugged design, in an industry standard form factor enabling ease of installation in a wide range of vehicles, with high levels of long term reliability and best in class performance Taoglas products are known for.

Our 10 Inch Subwoofer Speaker offers extended sub-bass frequency response and high sensitivity, with 4 Ohm impedance and power handling of 80W RMS and 160W Peak. Proven performance in demanding environments including heavy duty trucks and industrial and agricultural equipment. Taoglas added speakers to our product portfolio to provide both high quality connectivity and high quality audio solutions from one trusted company.

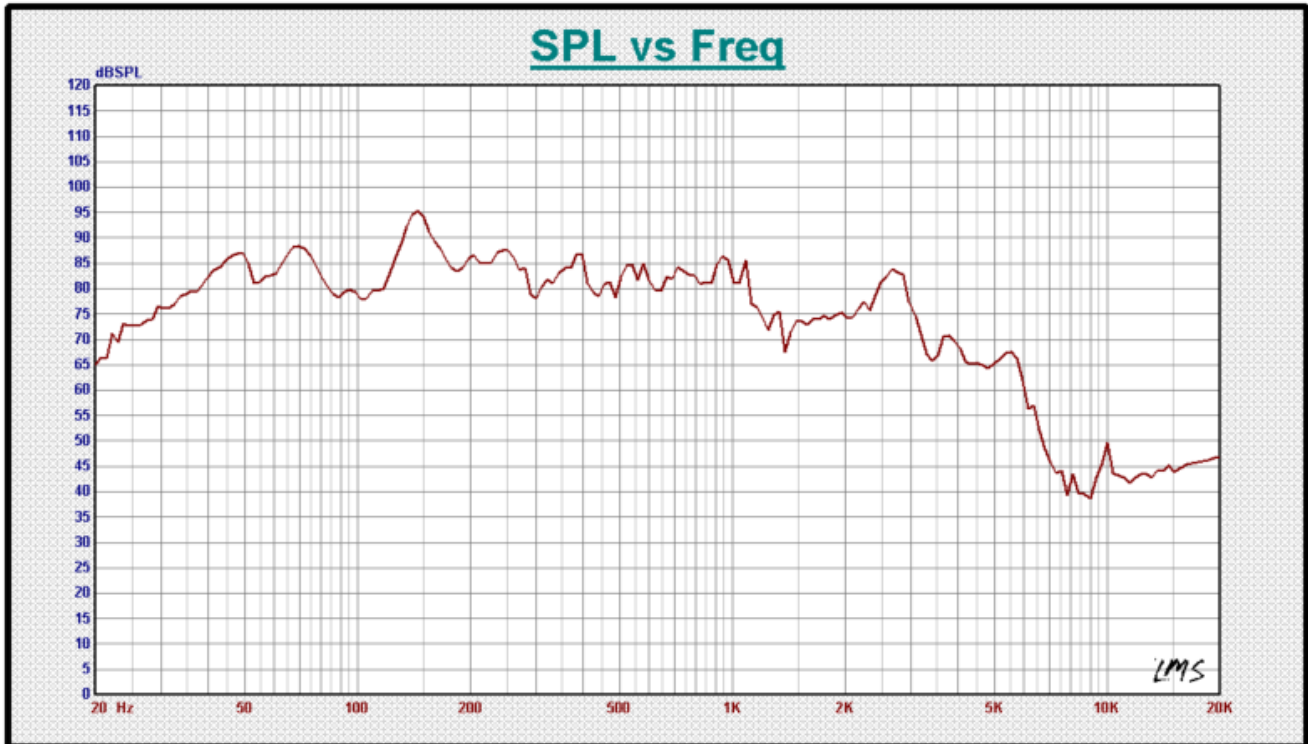
Please contact your regional Taoglas customer service team for more information and installation guidelines.

2. Specifications

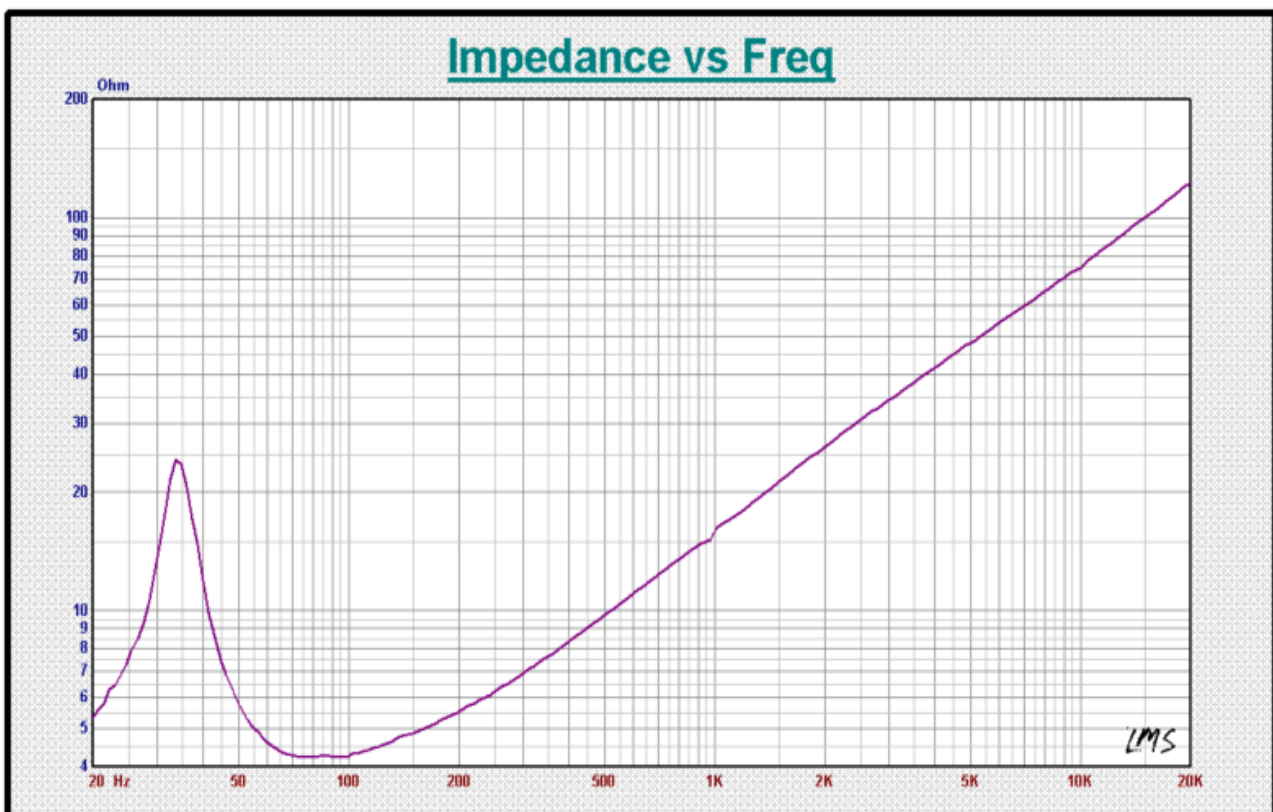
Electrical	
Impedance	4 Ohms
Rated Input Power	80 Watts RMS
Maximum Input Power	160 Watts peak
Mechanical	
Depth	116 mm
Diameter	244 mm
Weight	2.21 Kg
Connector	Packard Electric 12052832
Environmental	
Temperature Range	-40°C to 85°C
Humidity	Non-condensing 65°C 95% RH

3. Speaker Characteristics

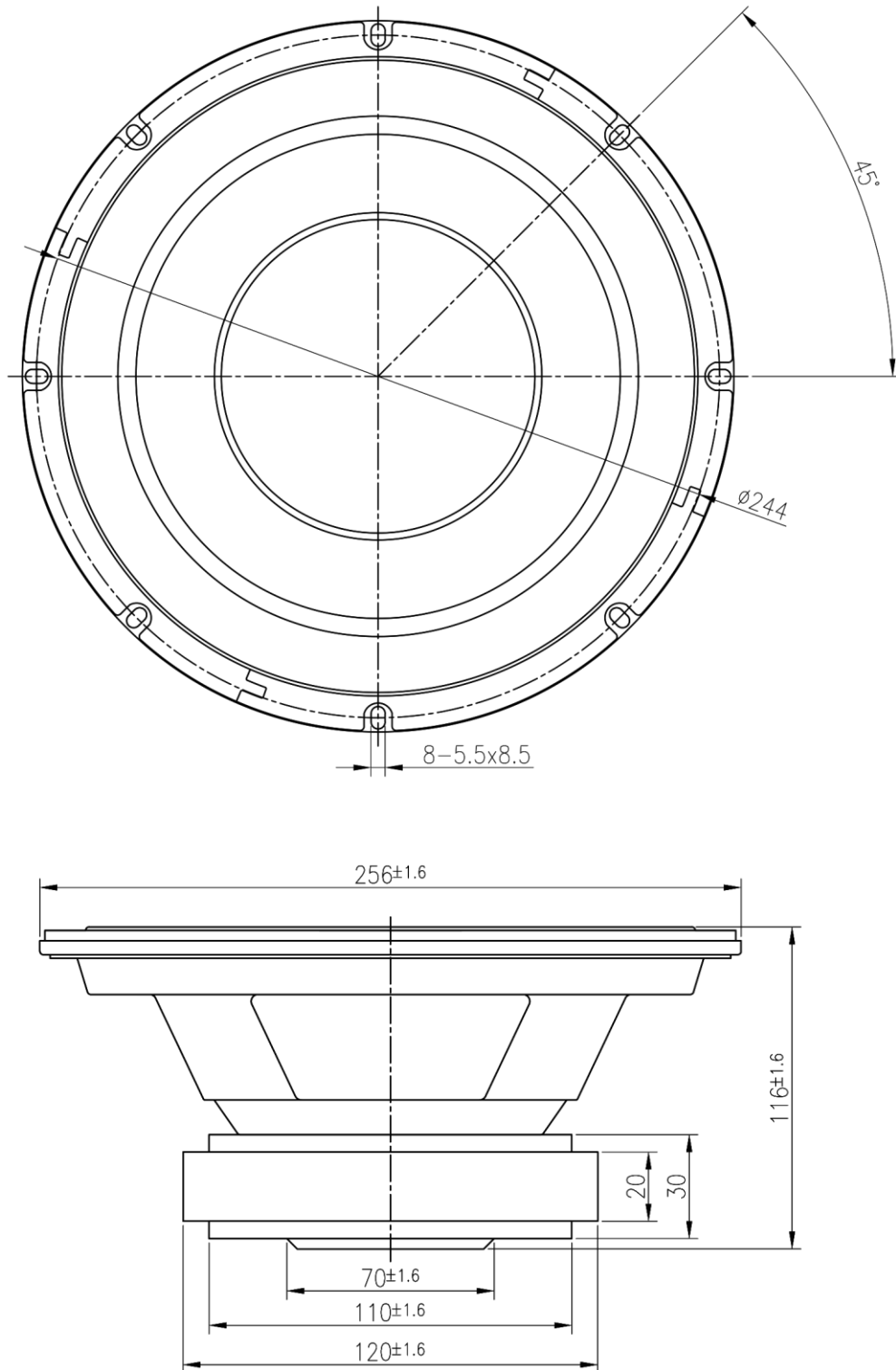
3.1 SPL



3.2 Impedance

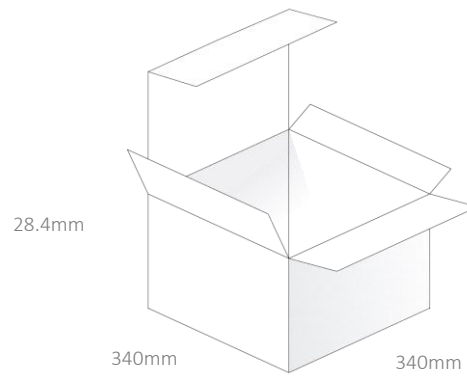


4. Mechanical Drawing (Units: mm)

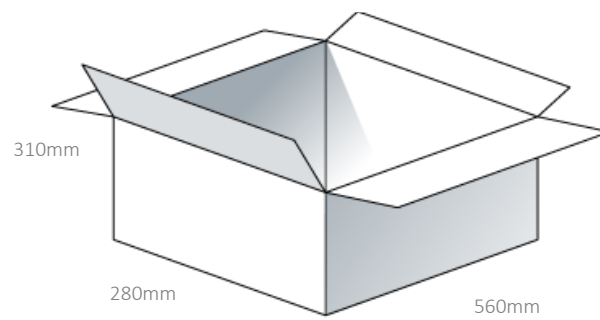


5. Packaging

1 pcs SPKR.10.4.A per Box
 Dimensions – 270 x 270 x 130mm
 Weight – 2.21kg



4 pcs SPKR.10.4.A per Carton
 Dimensions – 560 x 280 x 310mm
 Weight – 10Kg



Changelog for the datasheet

SPE-19-8-044 – SPKR.10.4.A

Revision: E (Current Version)

Date:	2022-07-05
Changes:	Updated specifications
Changes Made by:	Cesar Sousa

Previous Revisions

Revision: D

Date:	2021-07-13
Changes:	Updated Mechanical Drawing
Changes Made by:	Gary West

Revision: C

Date:	2019-10-23
Changes:	Added new drawings
Changes Made by:	Jack Conroy

Revision: B

Date:	2019-09-12
Changes:	Updated the drawings
Changes Made by:	Jack Conroy

Revision: A

Date:	2019-05-02
Changes:	
Changes Made by:	Jack Conroy



www.taoglas.com

