

Installation Instructions

MA114 Series

MIMO 5G/4G Antenna



Introduction

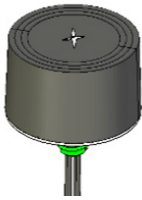
Following these guidelines will help ensure that your Taoglas MA114 antenna is installed correctly. The MA114 is mounted via permanent through-hole mounting, as outlined below.



Installation Requirements

Antenna Components:

Hex Steel Nut & Washer (x1), Antenna Housing (x1), Coaxial Cable(x2), Pre-adhered Adhesive Pad(x1)



- Additional Requirements:**

Drill with 16mm(5/8") drill bit/hole saw

19mm [3/4in] hex wrench (optional)

Notices

**Caution**

To comply with FCC RF Exposure requirements in section 1.1310 of the FCC Rules, antennas used with this device must be installed to provide a separation distance of at least 20 cm from all persons to satisfy RF exposure compliance.

**Warning**

Do not Operate the transmitter when someone is within 20 cm of the antenna.
Do not operate the equipment in an explosive atmosphere.

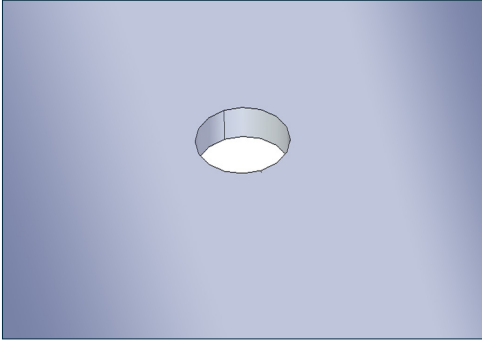
**European Waste Electronic Equipment Directive 2002/96/EC**

Please ensure that your old Waste Electricals and Electronics are recycled do not throw them away into standard waste.

Waiver: This document represents information compiled by Taoglas to the best of our current knowledge. This is not intended to be used as a representation or warranty of fitness of the products described for any particular purpose. This document details guidelines for general information purposes only. When planning installations, always seek specialist advice and ensure that the products are always installed by a properly qualified installer in accordance with applicable regional laws and regulations.

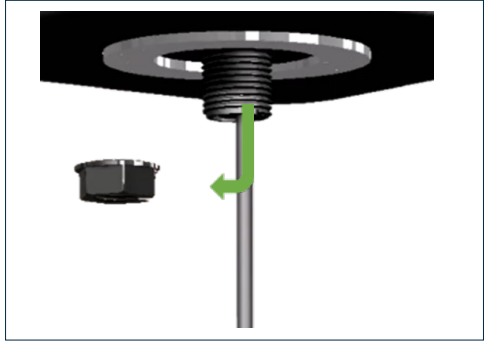
All copyrights, trademarks and any other intellectual property rights related are owned by Taoglas Group Holdings Limited.

Permanent Mounting



Determine where the antenna is to be mounted, please ensure this is a flat surface. Drill a 16mm [5/8"] diameter hole.

Note: Min panel thickness 4mm [5/32in], Max panel

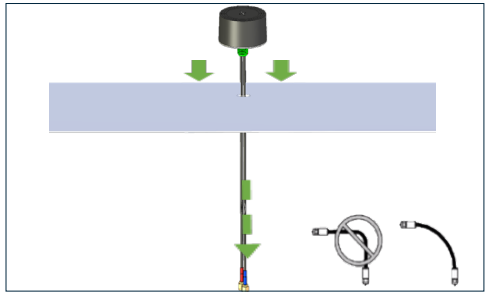


Unscrew the split steel nut from the antenna body and slide the the coaxial cable out through nut and washer.



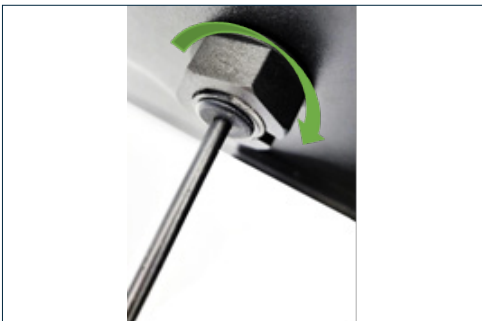
Ensure the mouting surface is clean and all debris, dust, or any other contaminant is removed. Remove the protective liner from the pre-installed base adhesive on the antenna.

Note: Once exposed, avoid touching the adhesive.

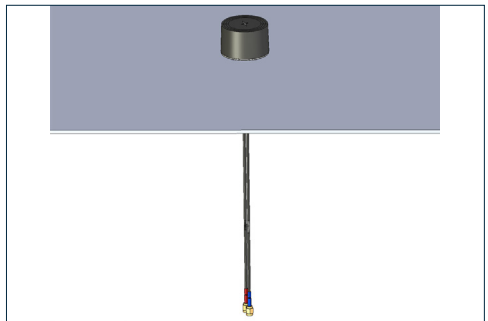


Route the coaxial cables through the hole in the panel. Align the antenna properly and press down to secure the adhesive base in place.

Note: Avoid sharp bends when routing coaxial cable.



Insert the coaxial cables through the washer and steel nut and slide them upwards. Tighten to secure the antenna in place. Ensure the nut is fully tightened.



Completed Installation.