

Installation Instructions

TGX.04 Series

MIMO 5G/4G Antenna

Introduction

Following these guidelines will help ensure that your Taoglas TGX.04 antenna is installed correctly. The TGX.04 can be mounted via 3 different variations; wall mount, pole mount and suction cup mount. All mounting methods are outlined below.



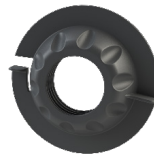
Installation Requirements

Antenna Components: Mounting Plate (x1), Tightening Nut (x1), Antenna Housing (x1), Coaxial Cable(x4)



Pole Mount

- 7mm [9/32"] socket wrench/ screwdriver
- Metal mounting clamp (x2)
- Pole diameter range: 22mm [0.9"] - 50mm [2"]



Wall Mount

- Screwdriver
- Drill
- M4 [Gauge 8] screw (x4)
- M4 [Gauge 8] washer (x4)
- 6mm [1/4"] wall mount stud (x4)



Suction Cups

- D40 suction cups (x4)



Suctions Cups

This antenna should be mounted with suction cups for indoor use only.

Notices



Caution

To comply with FCC RF Exposure requirements in section 1.1310 of the FCC Rules, antennas used with this device must be installed to provide a separation distance of at least 20 cm from all persons to satisfy RF exposure compliance.



Warning

Do not Operate the transmitter when someone is within 20 cm of the antenna.
Do not operate the equipment in an explosive atmosphere.



European Waste Electronic Equipment Directive 2002/96/EC

Please ensure that your old Waste Electricals and Electronics are recycled do not throw them away into standard waste.



Directive (RoHS) 2011/65/EU / 2015/863/EU

Harmonised Standards and References:

EN 301 489-1 (V2.2.1): ElectroMagnetic Compatibility (EMC) standard for radio equipment and services; Part 1: Common technical requirements. Referencing CENELEC EN 55032 Class B.

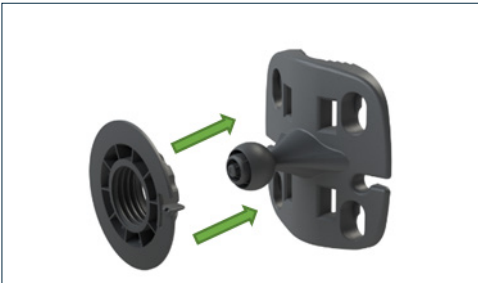
Pole Mount Installation



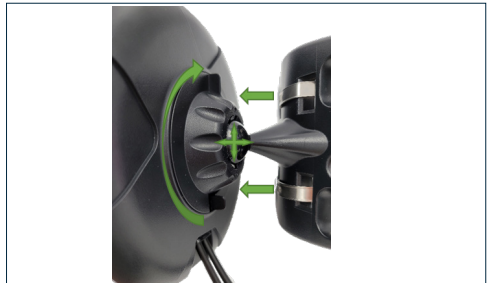
Insert the metal mounting clamps(both top and bottom) through the inner slots of the mounting plate



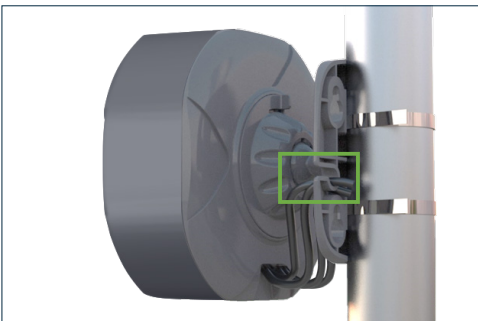
Loop the mouting straps around the pole at the desired position and tighten the strap until the mounting plate is fixed. Use the self centering feature to guide the mounting plate onto the pole



Insert the tightening nut onto the ball joint mount with the flat surface facing away from the mounting plate



Insert the ball joint firmly into the socket on the back of the antenna body and slide the tightening nut into the antenna housing's back plate to secure in place. Adjust to the desired antenna orientation on the bal joint and tighten the nut to fix the antenna in place.

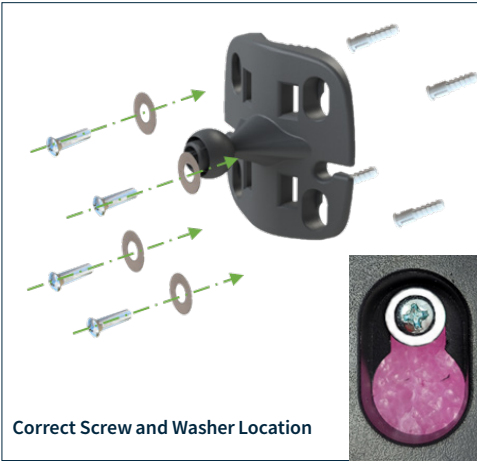


Optional: Route cables through the cable guide on the mounting plate

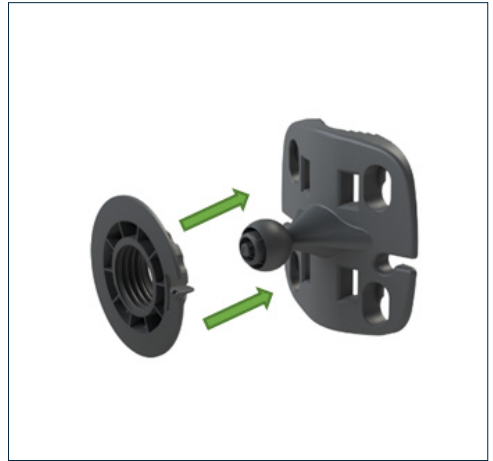


Installation Completed

Wall Mount Installation



Using the mounting plate as a guide mark the position of the screws to the desired location. Drill holes for wall mount studs (6mm [1/4"] diameter, min 25mm [1"] depth) and secure the studs in place. Position the washers into the mounting plate, insert the screws through and into the wall studs. Drive the screws in and tighten to secure the mounting plate in place.



Insert the tightening nut onto the ball joint mount from the mounting plate.



Insert the ball joint firmly into the socket on the back of the antenna body and slide the tightening nut into the antenna housing's back plate to secure in place. Adjust to the desired antenna orientation on the ball joint and tighten the nut to fix the antenna in place.



Installation Completed

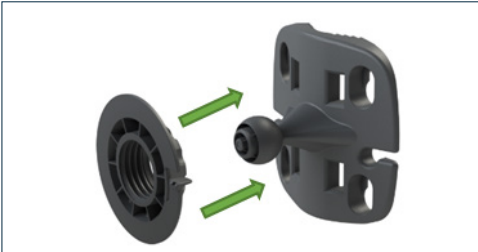
Suction Cup Mount Installation



Insert the rubber (both top and bottom) through the inner slots of the mounting plate



Using the mounting plate as guide on the mounting surface, align to the desired location of the antenna. Press firmly on each cup to secure in place
Note: Check that the surface to mount on is flat, non-porous, and has been adequately cleaned to ensure proper adhesion.



Insert the tightening nut onto the ball joint mount with the flat surface facing away from the mounting plate



Insert the ball joint firmly into the socket on the back of the antenna body and slide the tightening nut into the antenna housing's back plate to secure in place. Adjust to the desired antenna orientation on the ball joint and tighten the nut to fix the antenna in place.



Installation Completed

Waiver: This document represents information compiled by Taoglas to the best of our current knowledge. This is not intended to be used as a representation or warranty of fitness of the products described for any particular purpose. This document details guidelines for general information purposes only. When planning installations, always seek specialist advice and ensure that the products are always installed by a properly qualified installer in accordance with applicable regional laws and regulations.