

Installation Instructions

iDAS.C.001

MIMO 5G/4G Ceiling Mount Omni-directional Antenna

A Introduction

Following these guidelines will help ensure that your Taoglas iDAS antenna is installed correctly. The iDAS.C.001 can be mounted via threaded nut in ceiling tiles or via screw mount in fixed ceilings. Both mounting methods are outlined below.



B Ceiling Tile Mounting

Unpack the iDAS antenna from the packaging and remove the connector caps from the 4.3-10 mini-DIN connectors. Unscrew the plastic nut from the base plate thread as per Fig. 1 below.

Prepare the ceiling tile by drilling a $\varnothing 20\text{mm}$ hole in the desired location. When preparing to drill the hole, mask the area around the hole position to protect the surrounding surface.

Feed both cables through the hole and plastic nut as per Fig. 2. Connect iDAS cables to the cellular signal source cables. Screw the plastic nut tight to ensure a good fix on the ceiling tile, Fig.3.

Care should be taken to mount the iDAS antenna as far as possible from other roof-mounted features such as air-con units, ceiling lights etc. Replace the ceiling tile back into the ceiling panel.

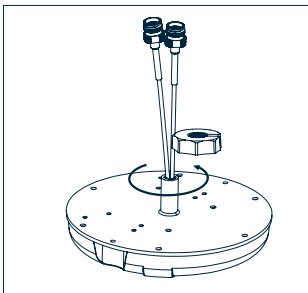


Fig. 1

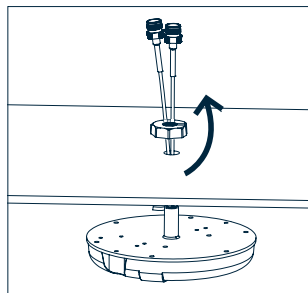


Fig. 2

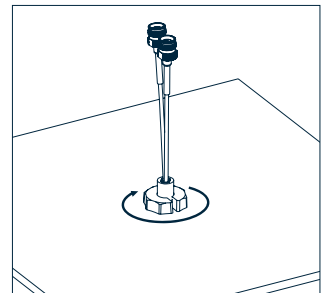


Fig. 3

C Screw Mount Option

Unpack the iDAS antenna from the packaging and remove the connector caps from the 4.3-10 mini-DIN connectors. The unique design of the iDAS.C.001 antenna also allows for screw mounting via two recessed areas located on either side of the enclosure. Two rawlplugs and two M5 25mm screws are supplied however you may wish to use an alternative depending on your desired installation location.

Prepare the ceiling by drilling three holes as per the dimensions in Fig. 4 below. Two $\phi 6$ mm holes for the rawlplugs and one $\phi 20$ mm hole for the cable feed should be drilled in the desired location. When preparing to drill the holes, mask the area around the hole position to protect the surrounding surface. Insert the rawlplugs into the two 6mm holes.

Feed both cables through the 20mm hole and connect them to the cellular signal source cables. Position the iDAS antenna in place taking care to align the mounting holes as per Fig 5 below. Screw the iDAS antenna tightly into position on the mounting surface. Care should be taken to mount the iDAS antenna as far as possible from other roof-mounted features such as air-con units, ceiling lights etc.

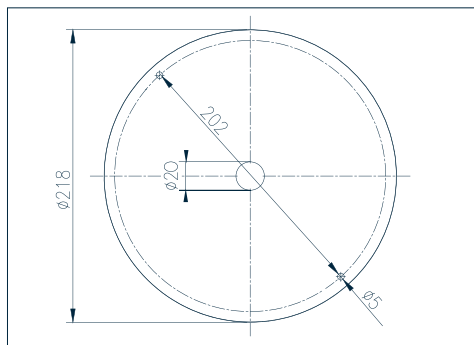


Fig. 4

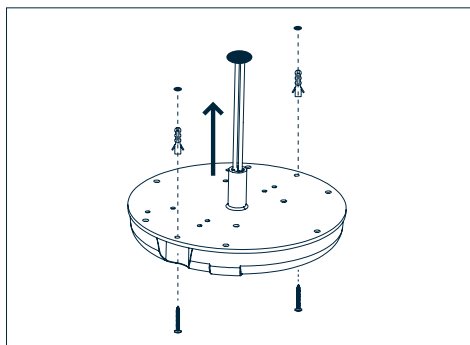


Fig. 5

D Notices



Caution

To comply with FCC RF Exposure requirements in section 1.1310 of the FCC Rules, antennas used with this device must be installed to provide a separation distance of at least 20 cm from all persons to satisfy RF exposure compliance.



Warning

Do not Operate the transmitter when someone is within 20 cm of the antenna.
Do not operate the equipment in an explosive atmosphere.



European Waste Electronic Equipment Directive 2002/96/EC

Please ensure that your old Waste Electricals and Electronics are recycled do not throw them away into standard waste.

Waiver: This document represents information compiled by Taoglas to the best of our current knowledge. This is not intended to be used as a representation or warranty of fitness of the products described for any particular purpose. This document details guidelines for general information purposes only. When planning installations, always seek specialist advice and ensure that the products are always installed by a properly qualified installer in accordance with applicable regional laws and regulations.

All copyrights, trademarks and any other intellectual property rights related are owned by Taoglas Group Holdings Limited.