

## PCN – Process Change Notification

Change:	WM.90.A.305111
Date:	2017/08/04
Author	Haley Tsai

### Affected Products

Model#	Part Number	Changes
Cyclops Wall Mount Flexible Whip Monopole With Bracket 3M CFD-200 SMA(M) Connector on Whip	WM.90.A.305111	<ol style="list-style-type: none"> <li>1. Amend <math>\varnothing 4 \pm 0.3\text{mm}</math> to <math>3.7 \pm 0.2\text{mm}</math>.</li> <li>2. Amend <math>\varnothing 61 \pm 0.3\text{mm}</math> to <math>\varnothing 61 \pm 0.5\text{mm}</math>.</li> <li>3. Amend <math>\varnothing 16 \pm 0.2\text{mm}</math> to <math>\varnothing 16 \pm 0.5\text{mm}</math>.</li> <li>4. Amend cap material from ABS to POM.</li> </ol>

### Type of Change

- Hardware Modification  
 Production Process Advance  
 Others –File change

### Description of Change

1. Amend  $\varnothing 4 \pm 0.3\text{mm}$  to  $3.7 \pm 0.2\text{mm}$ .
2. Amend  $\varnothing 61 \pm 0.3\text{mm}$  to  $\varnothing 61 \pm 0.5\text{mm}$ .
3. Amend  $\varnothing 16 \pm 0.2\text{mm}$  to  $\varnothing 16 \pm 0.5\text{mm}$ .
4. Amend cap material from ABS to POM.

### Schedule

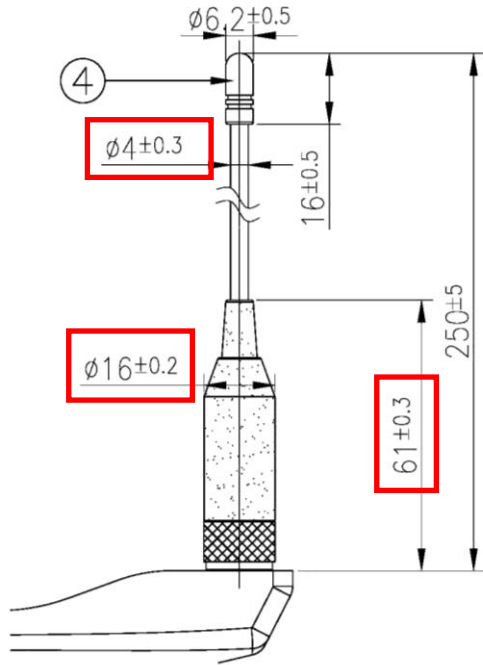
2017, August, Taoglas will provide new drawing into production.

### Forecast Estimated Transition Date

**August /2017**

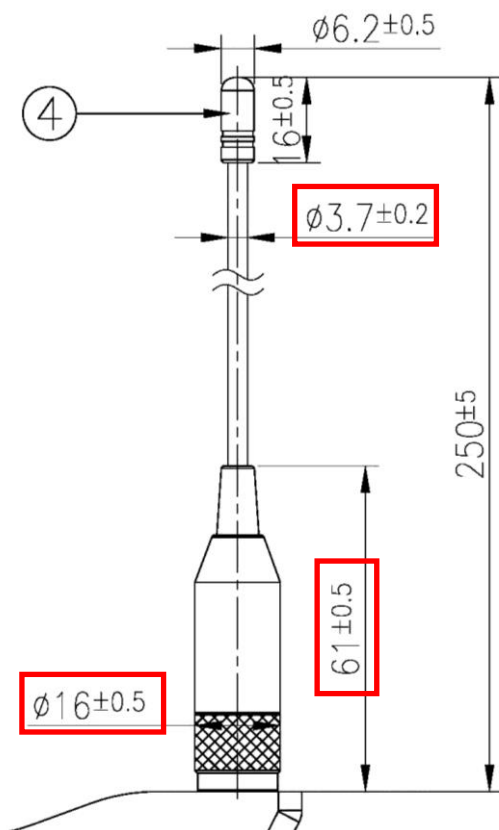
### Illustration of Change

#### Old Drawing



	Name	P/N	Material	Finish	QTY
1	L-Bracket Housing	000111C010020A	PC	Black	1
2	L-Bracket	000111C010020A	SPCC	Black	1
3	3*8 Screw	000411C020020A	Steel	Black	6
4	Cap	000713A000002A	ABS	Black	1

#### New Drawing



	Name	P/N	Material	Finish	QTY
1	L-Bracket Housing	000111C010020A	PC	Black	1
2	L-Bracket	000111C010020A	SPCC	Black	1
3	3*8 Screw	000411C020020A	Steel	Black	6
4	Cap	000711C000002A	POM	Black	1