

## PCN – Process Change Notification

Change:	G24.A.305111
Date:	2017/07/11
Author	Bonnie Chen

### Affected Products

Model#	Part Number	Changes
Ultima -Penta-band Screw-Mount Cellular Antenna with 3M NFC-200 SMA(M) Straight	G24.A.305111	1. Amend Package Rule.

### Type of Change

- Hardware Modification  
 Production Process Advance  
 Others –Amend Package Rule.
- 

### Description of Change

1. Amend Package Rule.

### Schedule

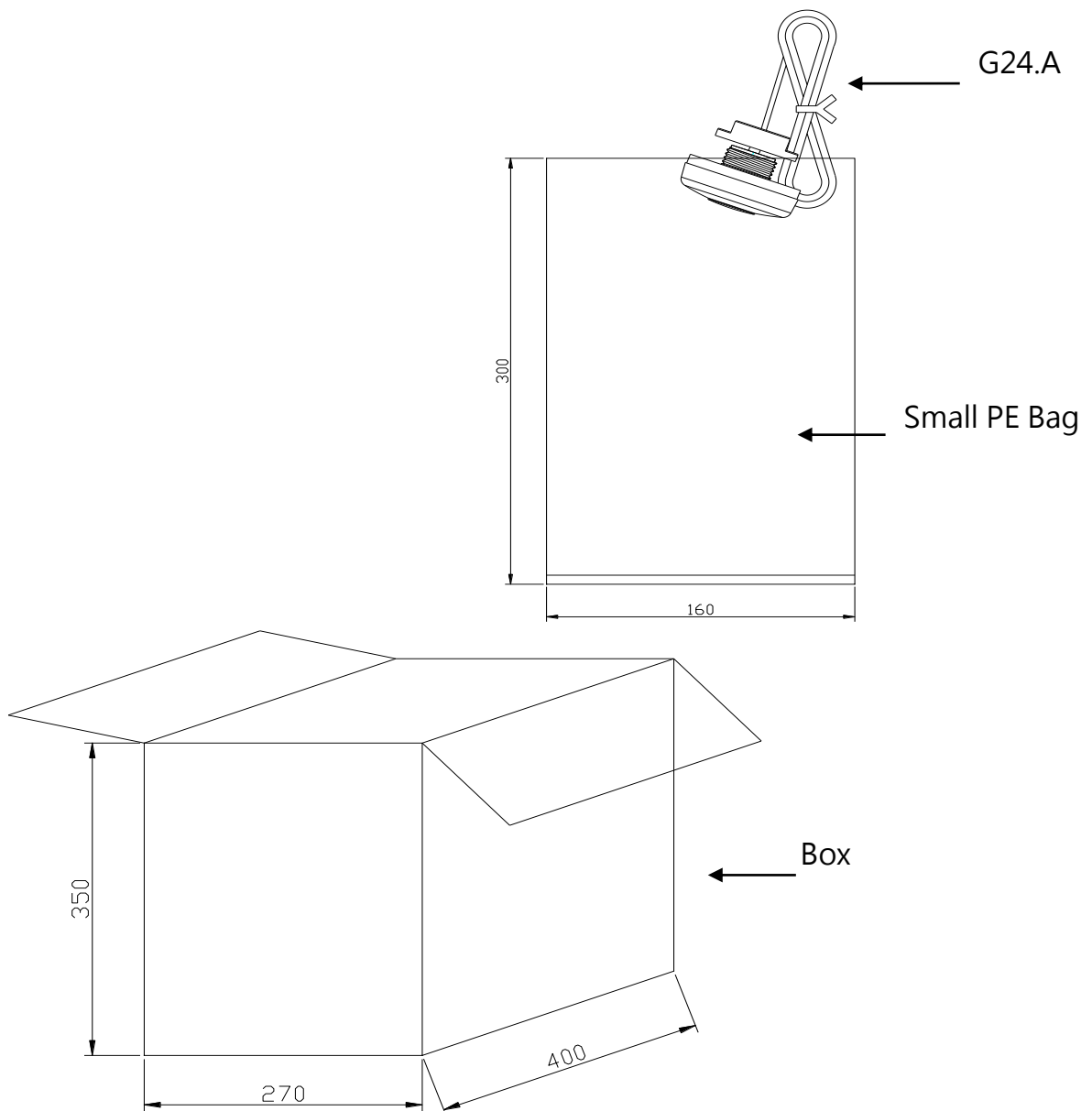
2017, July, Taoglas will provide new package rule into production.

### Forecast Estimated Transition Date

**July/2017**

**Illustration of Change**

**Old Package**



New Package

